

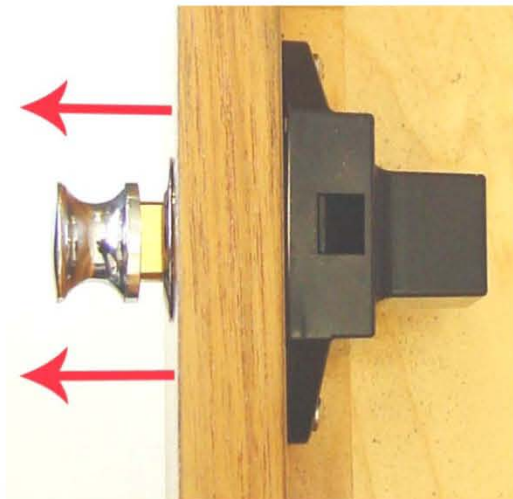


NEW!



**HIGH QUALITY
CABINET LATCH**

**WITH
FLUSH KNOB &
SLAM ACTION**





"A SET MAKES THE INSTALLATION A SUCCESS"

SET CONSIST OF THE FOLLOWING PARTS:

ORDER SETS:

With polished stainless steel button & ring

- 25.5275: 25 mm backset mechanism with installation kit
- 25.5995: Custom backset mechanism with installation kit

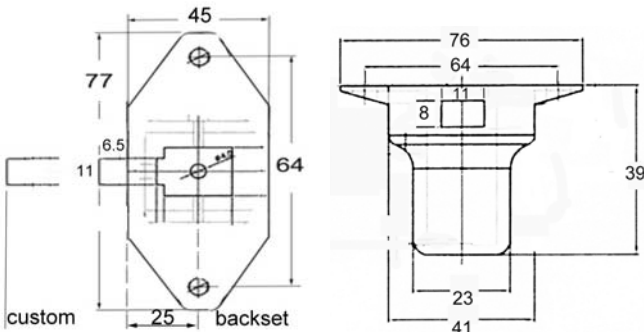
With satin stainless steel button & ring

- 25.5279: 25 mm backset mechanism with installation kit
- 25.5999: Custom backset mechanism with installation kit

Parts separate:

- 25.525: 25 mm backset mechanism only
- 22.9820: strike plate with lip; polished chrome
- 24.552: button stainless steel 316 mirror polished
- 24.553: ring stainless steel 316 mirror polished
- 24.559: spacer for button 6 mm
- 24.569: spacer for button 1 mm
- 24.557: Filler plate for body

More buttons & rings: See page 2-4-5 & 2-4-6



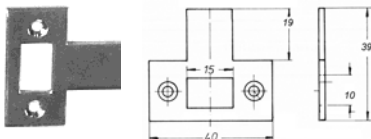
Dimensions mechanism in mm.

Roller bolt Strike plate



- 22.099 #22.099 Roller Bolt strike; 30 mm x 10 mm stainless steel

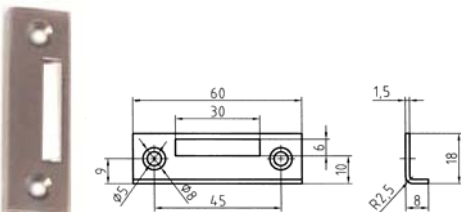
Strike plate for 3/4 inch doors



- 22.9820 #22.9820 strike for 3/4 inch thick doors
- 22.098S #22.098S strike for 5/8 inch doors
- 22.098L #22.098L strike for 1 1/4 inch doors

Strike for overlay doors (separate)

Stainless steel 60 x 18 x 8 mm



- 23.097 #23.097 strike plate stainless steel. For use with overlay doors applications



Button #24.552
316 stainless steel

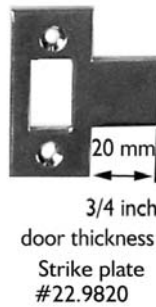
Ring #24.553
316 stainless steel

2x Button Spacers
#24.569

2x Button Spacer
#24.559
6 mm (1/4") thick

2x Filler Plate
#24.557
1 mm thick

Mechanism:
Select backset
when ordering
standard:
25 mm backset
#25.525



SPECIFY BACKSET MECHANISM

STANDARD BACKSET: 25 MM OR 1 INCH.

STAINLESS STEEL BUTTON AND RING INCLUDED IN SET:

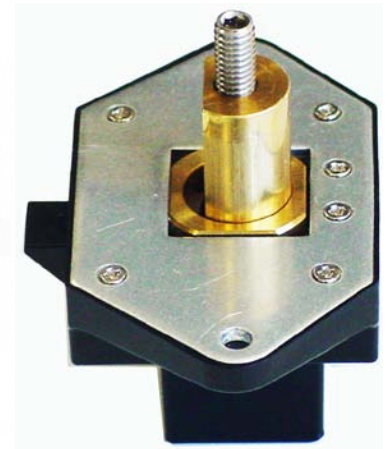
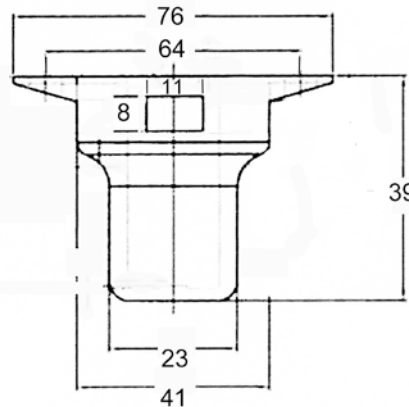
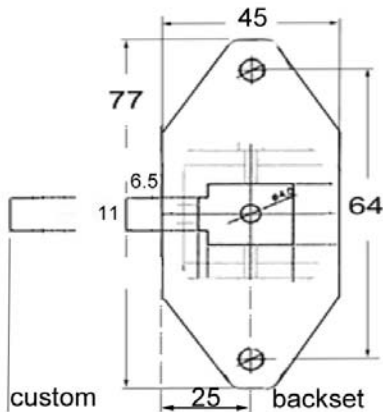


Drill hole 26 mm diameter for ring

FOR MORE Buttons and Rings and Finishes, Please see page 2-4-5 AND 2-4-6



**SLAM LATCH WITH PUSH/PULL MECHANISM
WITH 1 INCH BACKSET FOR 3/4 INCH THICK DOORS**



#25.5275 SET with S / S push button set; 25 mm backset
Drill hole 25 mm diameter for ring

#25.525
Standard Mechanism
Backset 25 mm

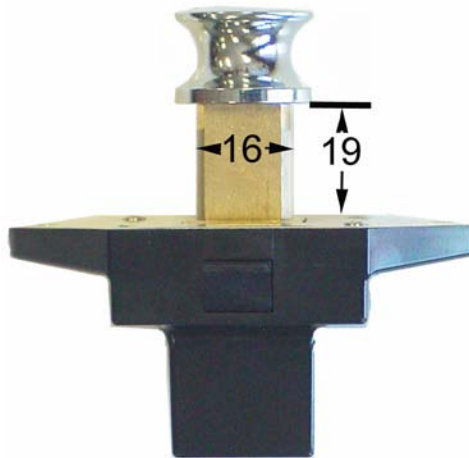
HOW TO OPERATE:

<p>① Close drawer or door (slam latch action; hands free action)</p>	<p>② Push to have button retracted</p>	<p>③ Push to have button pop out</p>	<p>④ Pull Button To open drawer or door (latch retracts)</p>



Front view "Pulled" extended
Latch bolt retracted, door opens

Position: ④



Front view extended
Button extended, door locks

Position: ③



Side view compressed
Button flush compressed, door locks

Position: ②

Door Thickness can vary from 5/8" to 1 1/4" or more by use from fillerplates and spacers

Backset can vary from 3/4" to 3" or more by extending the latchbolt. Specify when order.



SET CONSIST OF THE FOLLOWING PARTS:

ORDER SETS:

With Polished Brass button & ring

- 25.6253: 25 mm backset mechanism with installation kit
- 25.6995: Custom backset mechanism with installation kit

With Satin Brass button & ring

- 25.6379: 25 mm backset mechanism with installation kit
- 25.6999: Custom backset mechanism with installation kit

With Satin Nickel button & ring

- 25.6379: 25 mm backset mechanism with installation kit
- 25.6998: Custom backset mechanism with installation kit

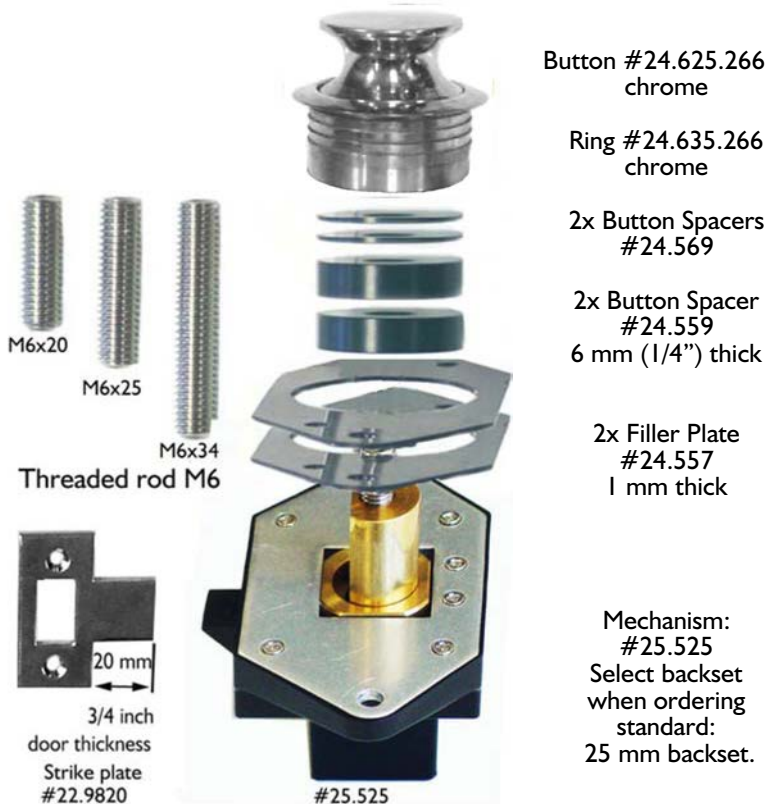
With Polished Chrome button & ring

- 25.7254: 25 mm backset mechanism with installation kit
- 25.7999: Custom backset mechanism with installation kit

Parts separate:

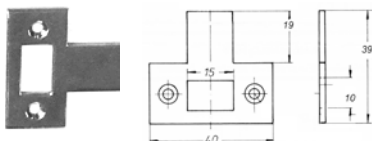
- 24.525: 25 mm backset mechanism only
- 24.9820: strike plate with lip; polished chrome
- 24.125.106: button brass polished
- 24.135.106: ring brass polished
- 24.125.266: button chrome polished
- 24.135.266: ring chrome polished
- 24.559: spacer for button 6 mm
- 24.569: spacer for button 1 mm
- 24.557: filler plate for body 1 mm

Please see page 2-4-5 for more buttons & rings



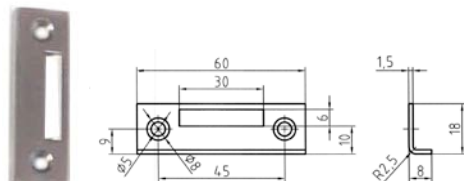
**SPECIFY BACKSET MECHANISM
STANDARD BACKSET: 25 MM OR 1 INCH.**

Strike plate for 3/4 inch doors

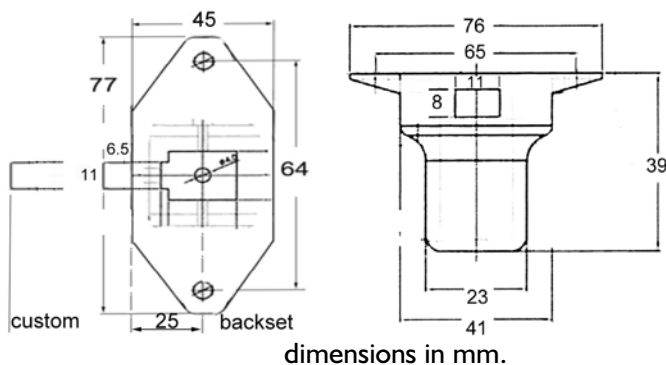


- 22.9820 #22.9820 strike for 3/4 inch thick doors
- 22.098S #22.098S strike for 5/8 inch doors
- 22.098L #22.098L strike for 1 1/4 inch doors

Strike for overlay doors (separate)
Stainless steel 60 x 18 x 8 mm

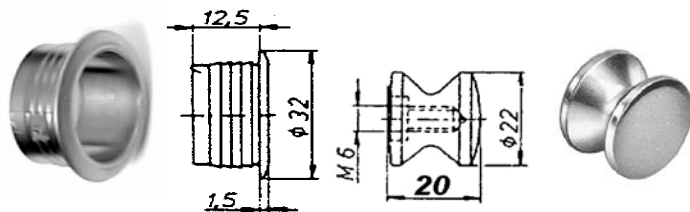


- 23.097 #23.097 strike plate stainless steel. For use with overlay doors applications. Please order separate



dimensions in mm.

STAINLESS STEEL BUTTON AND RING INCLUDED IN SET:



Drill hole 26 mm diameter for ring

This set allows for installation for any door thickness from 1 1/16 To 1 1/4 inch thick doors, by simply applying the filler plates, button spacers and threaded rods in any desired combination.
Angle strike #23.012 is included with the set. Specify other strikes as needed.
Separate buttons, rings, parts list of page and page



SET CONSIST OF THE FOLLOWING PARTS:

ORDER SETS:

With Polished Brass button & ring

- 25.8253: 25 mm backset mechanism with installation kit
- 25.8995: Custom backset mechanism with installation kit

With Satin Brass button & ring

- 25.8379: 25 mm backset mechanism with installation kit
- 25.8999: Custom backset mechanism with installation kit

With Satin Nickel button & ring

- 25.8479: 25 mm backset mechanism with installation kit
- 25.8799: Custom backset mechanism with installation kit

With Polished Chrome button & ring

- 25.8254: 25 mm backset mechanism with installation kit
- 25.8699: Custom backset mechanism with installation kit

Parts separate:

- 25.525: 25 mm backset mechanism only
- 22.9820: strike plate with lip; polished chrome
- 24.821.106: button brass polished
- 24.813.106: ring brass polished
- 24.821.556: button satin nickel
- 24.813.556: ring satin nickel

- 24.559: spacer for button 6 mm
- 24.569: spacer for button 1 mm
- 24.557: filler plate for body 1 mm

Button #24.812

Square Ring #24.813

2x Button Spacers #24.569

2x Button Spacer #24.559

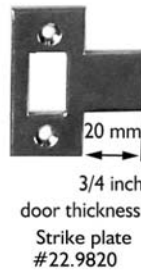
6 mm (1/4") thick

2x Filler Plate #24.557
1 mm thick

Mechanism: #25.525
Select backset when ordering standard: 25 mm backset.



Threaded rod M6



Strike plate #22.9820

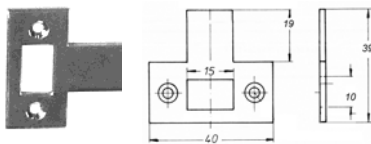
#25.525

Roller bolt Strike plate



- 22.099 #22.099 Roller Bolt strike; 30 mm x 10 mm stainless steel

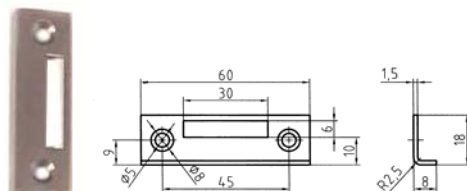
Strike plate for 3/4 inch doors



- 22.9820 #22.9820 strike for 3/4 inch thick doors
- 22.098S #22.098S strike for 5/8 inch thick doors
- 22.098L #22.098L strike for 1 1/4 inch thick doors

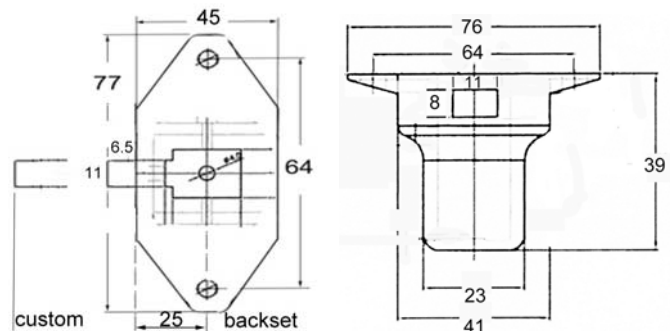
Strike for overlay doors (separate)

Stainless steel 60 x 18 x 8 mm



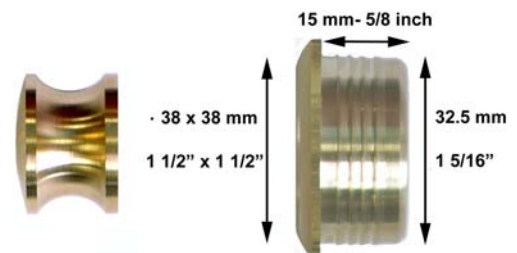
- 23.097 #23.097 strike plate stainless steel. For use with overlay doors applications Please order separate

**SPECIFY BACKSET MECHANISM
STANDARD BACKSET: 25 MM OR 1 INCH.**



dimensions in mm.

BUTTON AND RING INCLUDED IN SET:



Button diameter: 28.2 mm or 1 1/8"
Drill hole 1 5/16 inch diameter for ring

This set allows for installation for any door thickness from 1 1/16 To 1 1/4 inch thick doors, by simply applying filler plates, button spacers and threaded rods in any desired combination. Angle strike #23.012 is included with the set. Other strikes are special order.. Separate buttons and rings see page 2-4-5 and page 2-4-6



Strike Plate #22.9820
For 5/8 inch door thickness

#25.5209 mechanism with extended latch bolt
Custom backset mechanism (200 mm backset shown)
Specify backset when ordering

22.9820	Strike plate nickel plated brass	3/4 thick doors	
22.098S	Strike plate nickel plated brass	5/8 thick doors	
22.098L	Strike plate nickel plated brass	1 1/4 thick doors	
22.5209	Mechanism with bolt, guide	Custom backset Call office	
24.0002	1/4" spacer for guide	For shimming latch bolt	34 x 14 x 6.5 mm
24.0003	1 mm spacer for guide	For shimming latch bolt	34 x 14 x 1 mm
24.0004	Guide for long bolt	Aluminum	34 x 14 mm

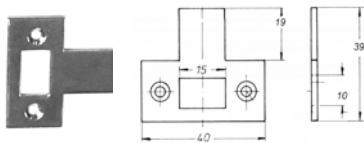
**SPECIFY BACKSET MECHANISM
STANDARD BACKSET: 25 MM OR 1 INCH.**



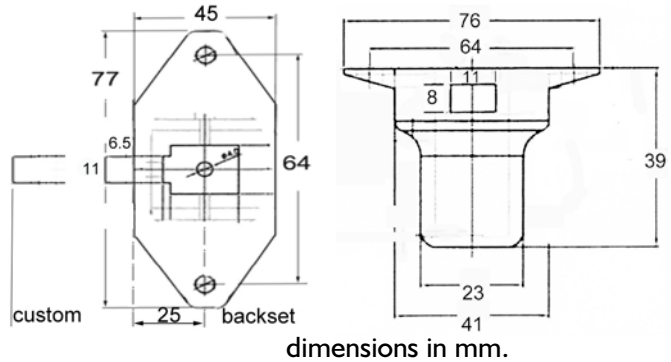
#23.099
Roller Bolt Strike plate, angle
Stainless steel

Strike plate for 3/4 inch doors

22.9820
22.098S
22.098L

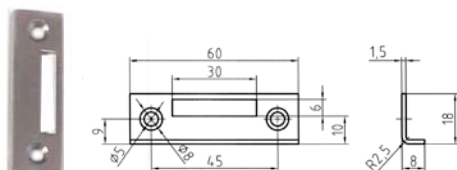


#22.9820 strike for 2/3 inch thick doors
#22.098S strike for 5/8 inch doors
#22.098L strike for 1 1/4 inch doors



Strike for overlay doors (separate)
Stainless steel 60 x 18 x 8 mm

23.097



#23.097 strike plate stainless steel.
For use with overlay doors applications
Please order separate

STAINLESS STEEL BUTTON AND RING :

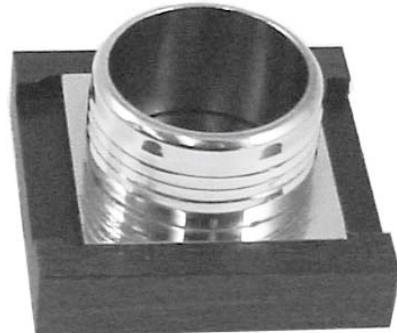
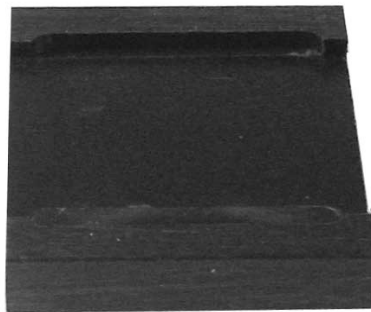


Drill hole 26 mm diameter for ring
#24.552 button and #24.553 ring

Please see page 2-4-5 for more buttons & rings



**25.516 CENTERING TOOL FOR 1 5/16 INCH O.D. ROUND RING WITH SQUARE BEVEL
USE FOR EXACTLY PLACING SCREW HOLES FOR FASTENING MECHANISM**

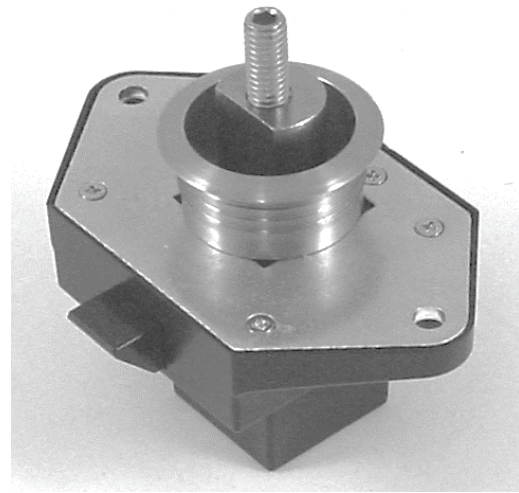


#25.616 SQUARING TOOL FOR 1 5/6 INCH O.D. ROUND RING WITH SQUARE BEVEL

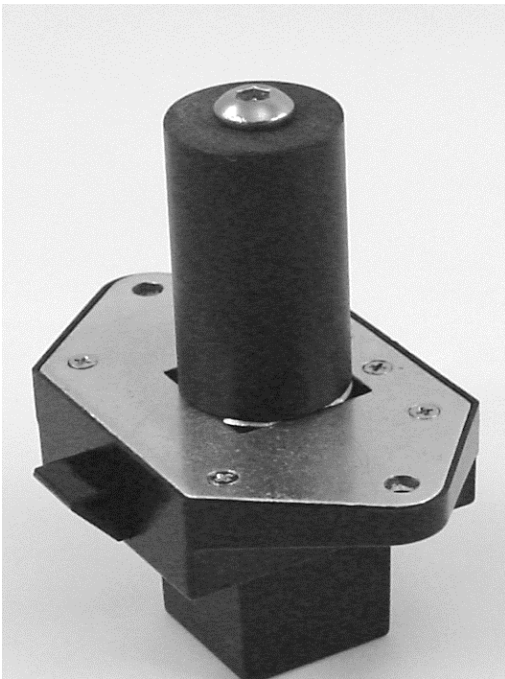


SET: #26.235 Push Pull mechanism with key lock and stainless steel ring #24.553. #25.525 mechanism

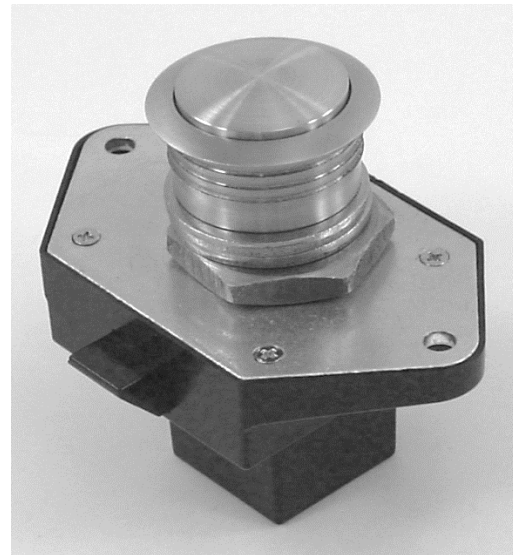
Pictures may not reflect actual products



**#25.100 CENTERING TOOL FOR 1 INCH O.D. ROUND STAINLESS STEEL RING
USE FOR EXACTLY PLACING SCREW HOLES FOR FASTENING MECHANISM**



**#25.100 Centering tool
#25.525 mechanism**

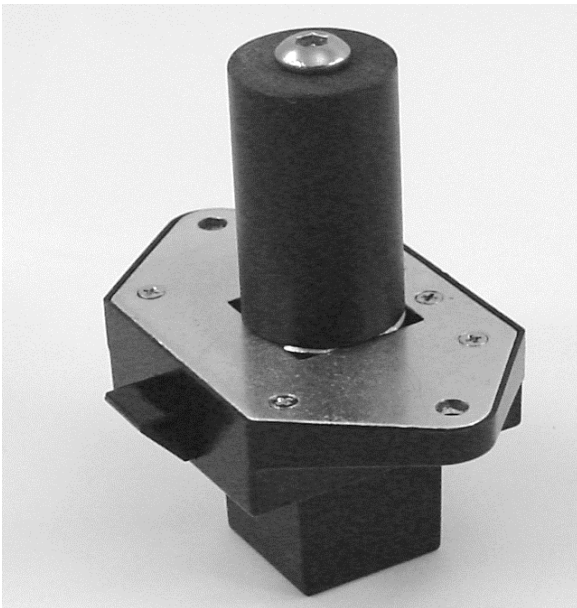


**Set: 25.5275
satin stainless steel button and ring
See page 2-4-1 for details**

Pictures may differ from actual products



**#25.316 CENTERING TOOL FOR 1/316 INCH O.D. THICK BRASS ROUND RING
USE FOR EXACTLY PLACING SCREW HOLES FOR FASTENING MECHANISM**



**#25.316 centering tool
#25.525 mechanism**

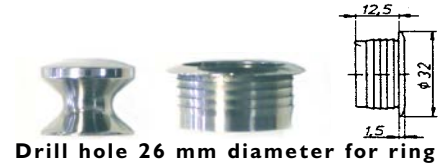
**Set: #25.6253 Brass Button and ring, thick walled.
See page 2-4-3 for details**

Pictures may differ from actual products



THIN WALL 316 STAINLESS STEEL BUTTON AND RING

- #24.552: Button polished stainless steel
- #24.553: Ring polished stainless steel
- #24.5521: Button polished titanium gold coated stainless steel
- #24.5531: Ring polished titanium gold coated stainless steel
- #24.5522: Button satin stainless steel
- #24.5532: Ring satin stainless steel



Drill hole 26 mm diameter for ring



THIN WALL OVAL BRASS BUTTON AND RING

- #24.121.106: Button polished lacquered brass
- #24.122.106: Ring polished lacquered brass
- #24.121.266: Button polished chrome plated brass
- #24.122.266: Ring polished chrome plated brass
- #24.121.566: Button satin chrome plated brass
- #24.122.566: Ring satin chrome plated brass
- #24.121.256: Button polished nickel plated brass
- #24.122.256: Ring polished nickel plated brass
- #24.121.556: Button satin nickel plated brass
- #24.122.556: Ring satin nickel plated brass

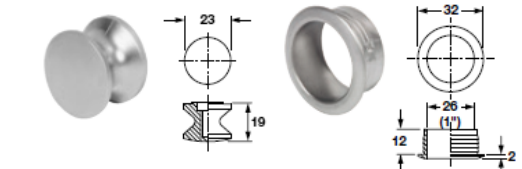


Router oval hole 25 x 41 mm for ring



THIN WALL BRASS BUTTON AND RING

- #24.625.106: Button polished lacquered brass
- #24.635.106: Ring polished lacquered brass
- #24.625.266: Button polished chrome plated
- #24.635.266: Ring polished chrome plated brass
- #24.625.556: Button satin nickel brass
- #24.635.556: Ring satin nickel brass



Drill hole 26 mm diameter for ring

Please call our office about custom finishes

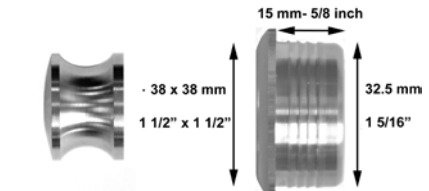
CUSTOM FINISH

- #24.125.999: Button, custom finish
- #24.135.999: Ring, custom finish

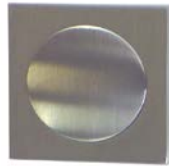


FLAT SQUARE BRASS RING WITH FLAT BUTTON

- #25.811.556: Button Flat satin nickel brass
- #25.812.556: Square Ring Flat satin nickel brass
- #25.811.266: Button Flat polished chrome plated
- #25.812.266: Square Ring Flat polished chrome plated brass

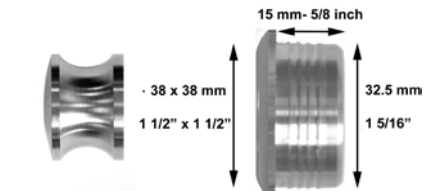


Drill hole 1 5/16 inch diameter for ring



FLAT SQUARE BRASS RING WITH ROUND BUTTON

- #25.821.556: Button Flat satin nickel brass
- #25.812.556: Square Ring Flat satin nickel brass
- #25.821.266: Button Round polished chrome plated
- #25.812.266: Square Ring Flat polished chrome plated brass

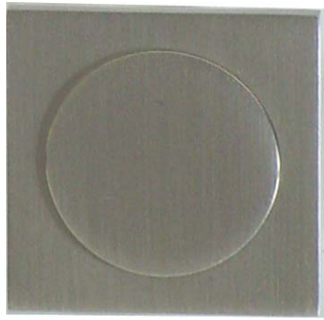


Drill hole 1 5/16 inch diameter for ring

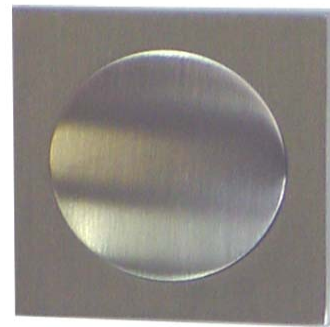
ALL BUTTON AND RINGS WORK WELL WITH 3/4 INCH OR 19 MM THICK MATERIAL.

USE FILLR PLATES ON THE MECHANISM WHEN MATERIAL IS LESS THEN 3/4" THICK

USE EXTENSION BUSHINGS BEHIND THE BUTTON WHEN THE MATERIAL IS THICKER THEN 3/4 INCH



Button #24.811 Ring 24.812
Button Flat Ring Flat



Button 24.821 Ring 24.812
Button round Ring flat

Dimensions:

**Button: 28.2 mm or 1 1/8" diameter. Protrudes 1/16" from ring.
Ring with square bevel: 1 1/2" x 1 1/2" or 38 x 38 mm. Drill hole 1 5/16"**



Button #24.831 Ring #24.812
Button Flat / Bevel Ring Flat



Button #24.831 Ring #24.813
Button Flat / Bevel Ring Rounded



Button #24.811 Ring #24.813
Button Flat Ring Rounded



Button 24.821 Ring #24.813
Button round Ring rounded



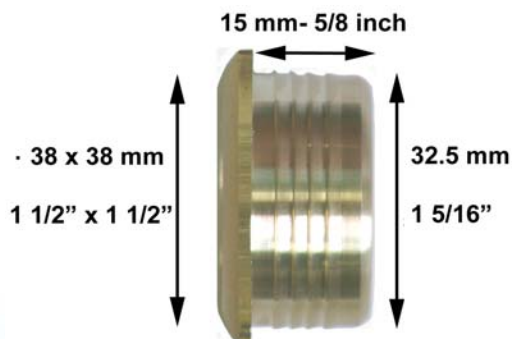
Button #24.821



Ring #24.813



Mechanism #25.525



See page 2-3-5 for mechanism details

Check with our office for options on finishes. Pictures shown in satin nickel and satin brass finish

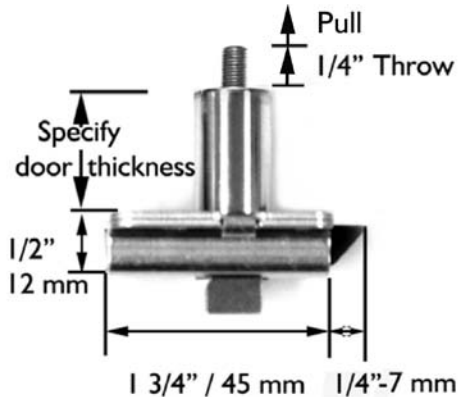


PULL SLAM LATCH INTERIOR GRADE



SHOWING PULL ACTION

Pearl knob & rose #LZ.C0245
See page 2-2-5-B for details

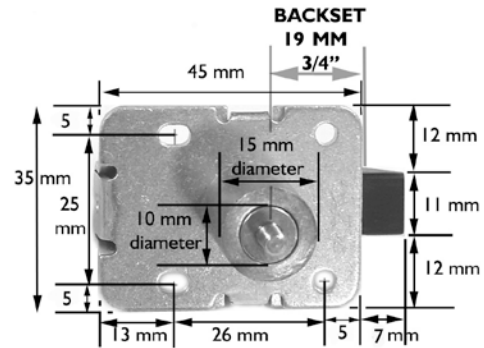


CUSTOM BACKSET AND CUSTOM DOORTHICKNESS

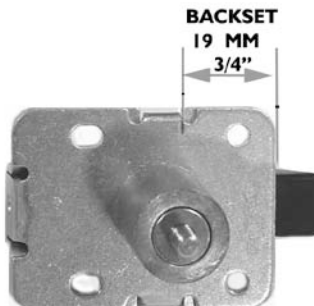


#24.P20: Pull mechanism
backset 20 mm; 25 mm and 30 mm
or 3/4"; 1" and 1 3/16"
Thread size: M 4

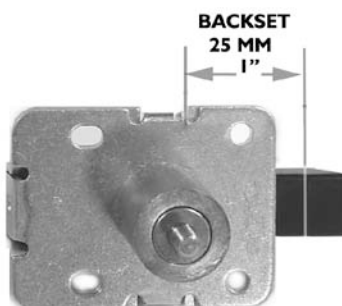
KNOB NOT INCLUDED
PICTURE FOR ILLUSTRATION PURPOSES ONLY
Knob: #LZ.C0245; see page 2-2-5-B



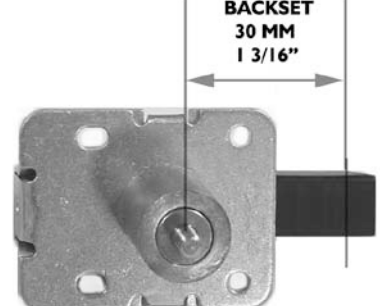
#29.020 Filler plate 6 mm 1/4" thick
See page 2-2-5-D for all accessories



BACKSET
19 MM
3/4"



BACKSET
25 MM
1"



BACKSET
30 MM
1 3/16"

24.P20 Pull mechanism 19 mm backset (3/4"

#24.P25 Pull mechanism 25 mm backset (1"

#24.P30 Pull mechanism 30 mm backset (1 3/16"



Izerwaren
Order #

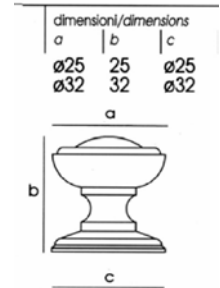
- Pull Mechanism made of aluminum with brass parts.
- Standard: 3/4 inch thick doors
- Backset: 3/4 inch or 1 inch
- Custom backset / thickness on special order.

LZ.C0245

Pearl Knob with separate Pearl rose
Thread size: M 4
Brass material,
Finish:
Gold, Brass, Chrome, Nickel
2 sizes Please specify



#LZ.C0245 Pearl knob with rose
backset 25 mm diameter
Thread size: M 4



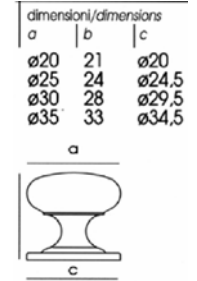
#LZ.C0245 Pearl knob with rose

LZ.B0214

Knob with rose attached
Thread size: M 4
Brass material
Finish:
Gold, Brass, Chrome, Nickel
4 sizes Please specify



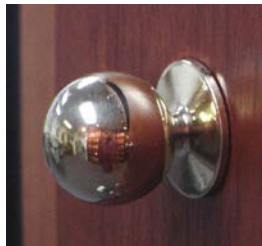
#LZ.B0214 Knob with rose (one piece)
20 mm diameter
Thread size: M 4



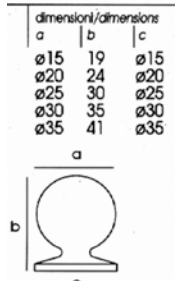
#LZ.B0214 Knob with rose (one piece)
4 sizes

LZ.B0201

Round Knob with rose attached
Thread size: M 4
Brass material
Finish:
Gold, Brass, Chrome, Nickel
5 sizes Please specify



#LZ.B0201 Knob with rose (one piece)
25 mm diameter
Thread size: M 4



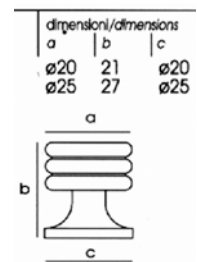
#LZ.B0201 Knob with rose (one piece)
5 sizes

LZ.B0219

Ribbed Knob with rose attached
Thread size: M 4
Brass material
Finish:
Gold, Brass, Chrome, Nickel
2 sizes Please specify



#LZ.B0203 Knob with rose (one piece)
25 mm diameter
Thread size: M 4



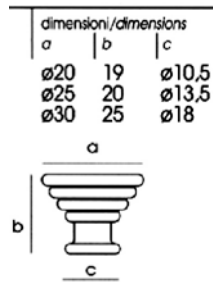
#LZ.B0203 Knob with rose (one piece)
2 sizes

LZ.4632
LZ.4519

Oval Ribbon Reed Knob and
Ribbon and Reed rose
3/16" square rod
Brass material
Finish:
Titanium Brass or Chrome



#LZ.B0219 Knob
30 mm diameter
Thread size: M 4

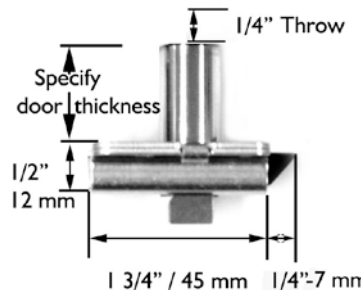


#LZ.B0219 Knob 3 sizes



24.P20

#24.P20 Pull mechanism
Used with depicted knobs
Works like a slam latch
PAGE 2-2-5-A for details



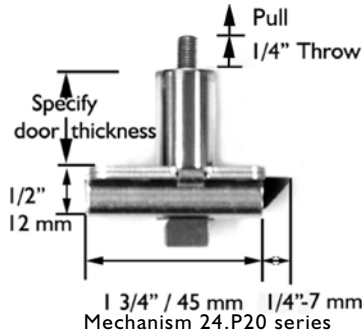
Please see page 2-2-5-D for
installation and
ordering details



Backset 20 mm	Backset 25 mm	Backset 30 mm	BACKSET MECHANISM IN RELATION TO DOOR LAY OUT
CUT HOLE FOR KNOB FROM EDGE OF DOOR AT:			DOOR THICKNESS (= B) ORDER FOR 3/4" INCH DOOR, OR 1" DOORS OR SPECIFY CUSTOM DOOR THICKNESS. UPTO 1 1/2" THICK.
Distance = "A" 20 mm Part no: 24.P20	Distance = "A" 25 mm Part no: 24.P25	Distance = "A" 30 mm Part no: 24.P30 up to 100 mm / 4 inch	<div style="text-align: center;"> </div> <p>Set up with flush doors and flush strike Strike #22.098S short #22.98L long</p>
= "A" 29 mm Part no: 24.P20	= "A" 34 mm Part no: 24.P25	= "A" 39 mm Part no: 24.P30 up to 100 mm / 4 inch	<div style="text-align: center;"> </div> <p>Set up with overlay doors with angle strike for overlay doors Angle Strike #23.097</p>
= "A" 28 mm Part no: 24.P20 + filler plate	= "A" 33 mm Part no: 24.P25 + filler plate	= "A" 38 mm Part no: 24.P30 + filler plate up to 100 mm / 4 inch	<div style="text-align: center;"> </div> <p>Setup with flush doors and roller bolt strike 1/4" filler plate required Roller Strike #23.099</p>
= "A" 35 mm Part no: 24.P20 + filler plate	= "A" 40 mm Part no: 24.P25 + filler plate	= "A" 45 mm Part no: 24.P30 + filler plate up to 100 mm / 4 inch	<div style="text-align: center;"> </div> <p>Set up with overlay doors and roller bolt strike 1/4" filler plate required Strike #23.099</p>



Knob #LZ.C0245



Aluminum body
Knob #LZ.C0245



Black body
Knob #LZ.B0214



Knob #LZ.B0214

Part no.	Pull Mechanism:	Backset:	Door thickness:	Specify Knob thread:
24.P2020	silver or black	3/4" 19 mm	3/4" - 19 mm	M4 or 8/32"
24.P2025	silver or black	3/4" 19 mm	1" - 25 mm	M4 or 8/32"
24.P2032	silver or black	3/4" 19 mm	1 1/4" - 32 mm	M4 or 8/32"
24.P2038	silver or black	3/4" 19 mm	1 1/2" - 38 mm	M4 or 8/32"
24.P2520	silver or black	1" 25 mm	3/4" 19 mm	M4 or 8/32"
24.P2525	silver or black	1" 25 mm	1" - 25 mm	M4 or 8/32"
24.P2532	silver or black	1" 25 mm	1 1/4" - 32 mm	M4 or 8/32"
24.P2538	silver or black	1" 25 mm	1 1/2" - 38 mm	M4 or 8/32"
24.P3020	silver or black	1 3/16" 30 mm	3/4" 19 mm	M4 or 8/32"
24.P3025	silver or black	1 3/16" 30 mm	1" - 25 mm	M4 or 8/32"
24.P3032	silver or black	1 3/16" 30 mm	1 1/4" - 32 mm	M4 or 8/32"
24.P3038	silver or black	1 3/16" 30 mm	1 1/2" - 38 mm	M4 or 8/32"
24.P00	silver or black	Specify Backset (100 mm)	Specify door thickness	M4 or 8/32"

29.020	1/4" thick filler plate	Use with roller bolt strike #22.099	Use with lay out #3 and #4	
29.0001	1 mm thick filler plate	Use for shimming	When needed	
22.098S	Strike plate flush short	Brushed nickel over brass	Use with Lay out # 1	<p>Lip 9 mm long</p>
22.098L	Strike plate flush Long	Brushed nickel over brass	Use with Lay out # 1	<p>Lip 30 mm</p>
22.0971	Strike plate angle For overlay doors	Brushed nickel over brass	Use with Lay out # 1	
22.099	Roller bolt strike	Brushed stainless steel	Use with lay out #3 and #4 Size roller bolt: 1 3/16 x 3/8" 30 mm x 10 mm	
23.012	Strike plate angle	Brushed nickel over brass	Use with layout #2; #3 and #4	



Izerwaren
Order
numbers
29.2020

Push Slam latch

Footprint Case 45 x 35 mm
Throw 8 mm or 5/16 inch black coated aluminum
Available in backsets from 3/4" to 7 1/2"
Available for door thickness from 3/4" to 1 1/2"
Available in custom finish (push knob and shaft)

Strike plate: - lip 3/8" or lip 1 3/16"

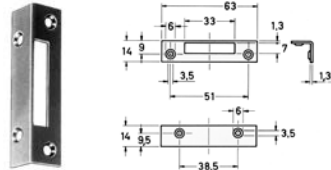
22.098S
22.098L



Strike #22.98S Strike #22.98L

23.0971

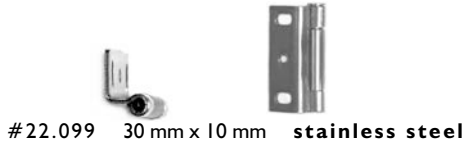
Strike for overlay doors:



23.0971 nickel plated brass

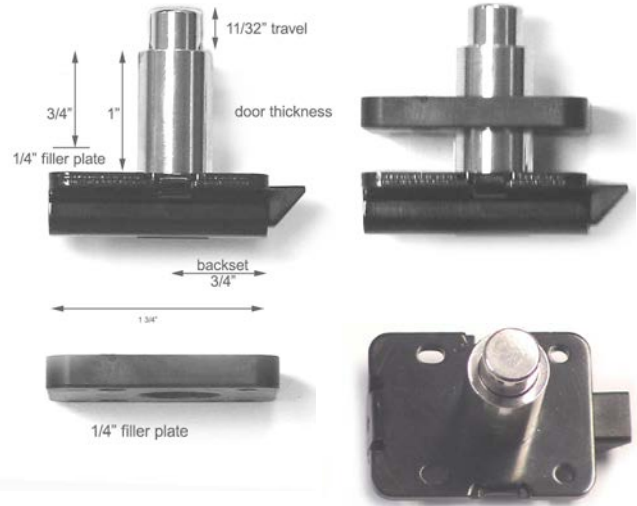
22.099

Roller bolt strike:

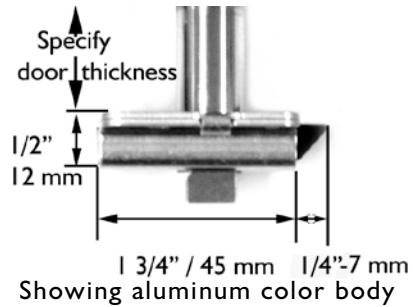


#22.099 30 mm x 10 mm stainless steel

**ALUMINUM MECHANISM, SEAWATER RESISTANT
BLACK COATED, DELRON PARTS**



Mechanism #29.2025 Shown. For 3/4" inch doors
Without filler plate for 1" thick door



1 3/4" / 45 mm 1/4"-7 mm
Showing aluminum color body

Available with different backset for different door thickness
aluminum mechanism, seawater resistant
black coated or aluminum color
delron parts

Push Button and Shaft can be ordered with custom finish

Sample installation:



24.1297

#24.1297 Cabinet pull D: 92 x 39 mm
Polished Nickel finish.
Showing with push latch #29.2020

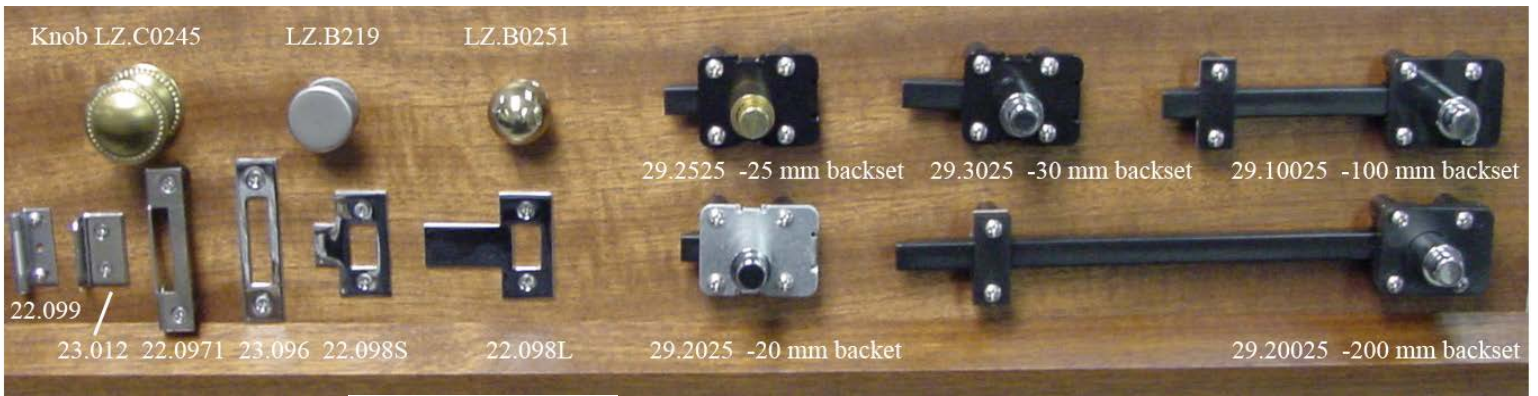


#24.1295 Cabinet pull 92 x 39 mm
Polished brass



#24.1297 Cabinet pull 92 x 39 mm
Polished chrome plated brass

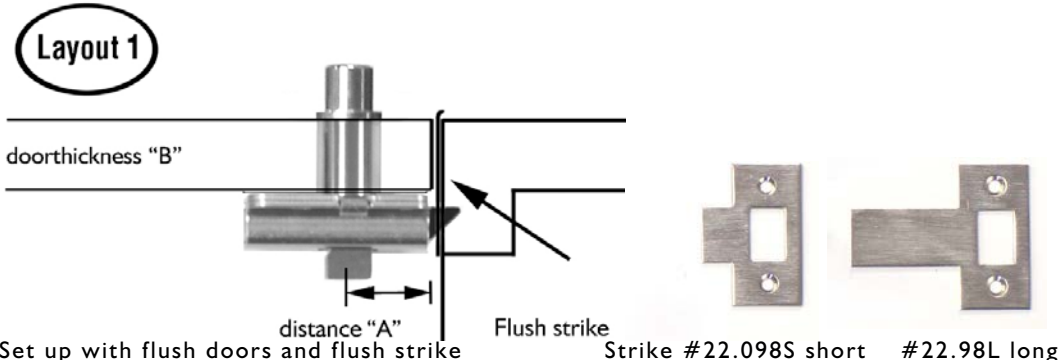
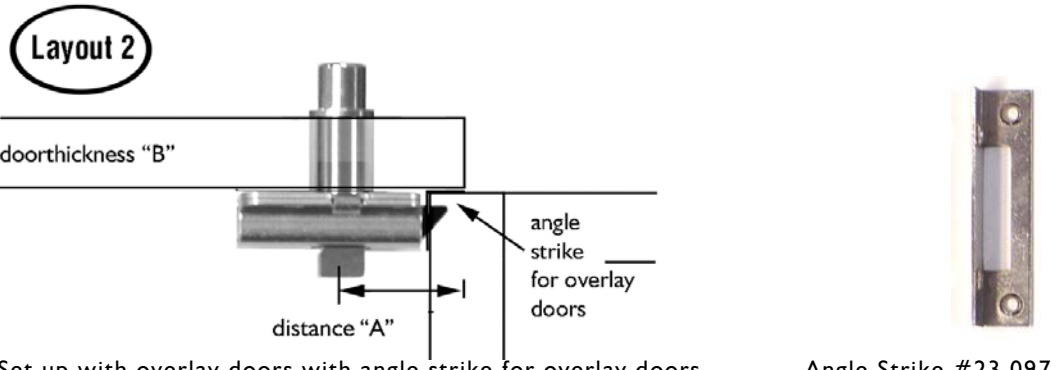
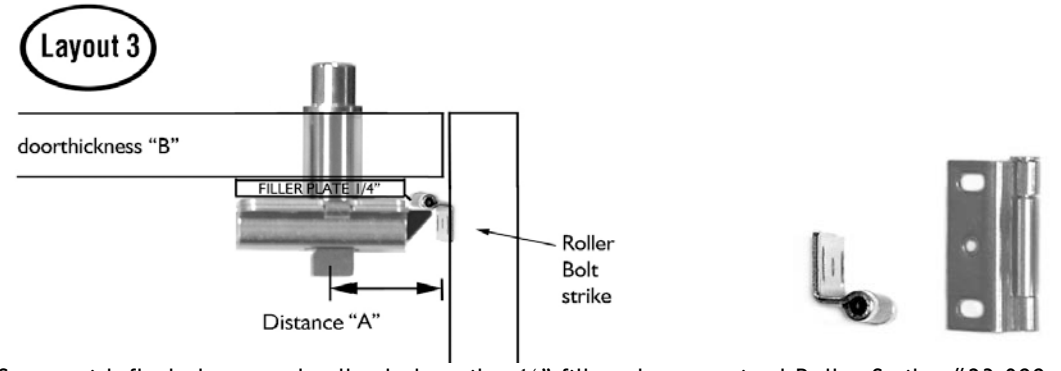
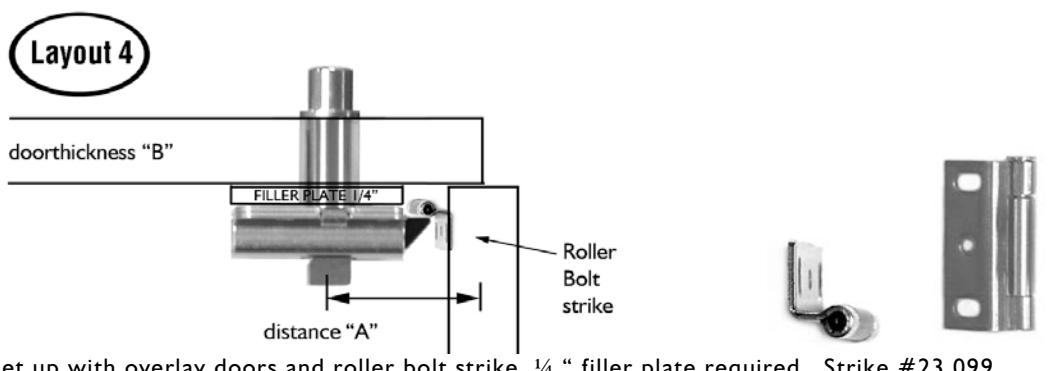
**PLEASE CHECK FOR
INSTALLATION GUIDE ON PAGE 2-2-5-J**



PUSH MECHANISM Part no.	Body Finish	Backset:	Door thickness:	Specify FINISH Button & Sleeve	Finish Code
29.2020	silver or black	3/4" - 19 mm	3/4" - 19 mm	BRASS POLISHED	106
29.2025	silver or black	3/4" - 19 mm	1" - 25 mm	BRASS BRUSHED	506
29.2032	silver or black	3/4" - 19 mm	1 1/4" - 32 mm	CHROME POLISHED	266
29.2038	silver or black	3/4" - 9 mm	1 1/2" - 38 mm	CHROME BRUSHED	566
29.2520	silver or black	1" - 25 mm	3/4" 19 mm	NICKEL POLISHED	256
29.2525	silver or black	1" - 25 mm	1" - 25 mm	NICKEL BRUSHED	556
29.2532	silver or black	1" - 25 mm	1 1/4" - 32 mm	GOLD POLISHED	286
29.2538	silver or black	1" - 25 mm	1 1/2" - 38 mm	GOLD BRUSHED	586
29.3020	silver or black	1 3/16" - 30 mm	3/4" 19 mm	DARK BRONZE	546
29.3025	silver or black	1 3/16" - 30 mm	1" - 25 mm		
29.3032	silver or black	1 3/16" - 30 mm	1 1/4" - 32 mm		
29.3038	silver or black	1 3/16" - 30 mm	1 1/2" - 38 mm		
29.0000	silver or black	Specify Backset	Specify door thickness	Please specify	

24.020	1/4" filler plate	Use with roller bolt strike #22.099	6 X 35 X 45 mm	
24.0001	1 mm filler plate	For shimming out body	1 X 35 X 45 mm	
24.0002	1/4" spacer for guide	For shimming latch bolt		
24.0003	1 mm spacer for guide	For shimming latch bolt		
24.0004	Guide for long bolt	aluminum		
24.0005	1/4" spacer for knob	For shimming knob	6 X 10 mm diameter	
24.0006	Threaded rods M4	Stainless steel		
22.098S	Strike plate flush short	Brushed nickel over brass	 Lip 9 mm long	
22.098L	Strike plate flush Long	Brushed nickel over brass	 Lip 30 mm	
22.0971	Strike plate angle For overlay doors	Brushed nickel over brass	63 x 14 x 10 mm	
22.096	Strike plate No lip	Brushed nickel over brass	63 x 13 mm	
22.099	Roller bolt strike	Brushed stainless steel	30 mm x 10 mm	
23.012	Strike plate angle	Brushed nickel over brass		



Backset t 20 mm	Backset 25 mm	Backset 30 mm	BACKSET MECHANISM IN RELATION TO DOOR LAY OUT
CUT HOLE FOR KNOB FROM EDGE OF DOOR AT:			DOOR THICKNESS (= B) ORDER FOR 3/4" INCH DOOR, OR 1" DOORS OR SPECIFY CUSTOM DOOR THICKNESS. UPTO 1 1/2" THICK.
20mm Part no. 29.2020	25 mm Part no. 29.2520	30 mm Part no. 29.3020 Up to 100 mm / 7 inch	Layout 1  <p>doorthickness "B"</p> <p>distance "A"</p> <p>Flush strike</p> <p>Set up with flush doors and flush strike Strike #22.098S short #22.98L long</p>
31mm Part no. 29.2020	36 mm Part no. 29.2520	41 mm Part no. 29.3020 Up to 100 mm / 7 inch	Layout 2  <p>doorthickness "B"</p> <p>distance "A"</p> <p>angle strike for overlay doors</p> <p>Set up with overlay doors with angle strike for overlay doors Angle Strike #23.097</p>
28mm Part no. 29.2020	33 mm Part no. 29.2520	38 mm Part no. 29.3020 Up to 100 mm / 7 inch	Layout 3  <p>doorthickness "B"</p> <p>FILLER PLATE 1/4"</p> <p>Distance "A"</p> <p>Roller Bolt strike</p> <p>Set up with flush doors and roller bolt strike 1/4" filler plate required Roller Strike #23.099</p>
37mm Part no. 29.2020	42 mm Part no. 29.2520	47 mm Part no. 29.3020 Up to 100 mm / 7 inch	Layout 4  <p>doorthickness "B"</p> <p>FILLER PLATE 1/4"</p> <p>distance "A"</p> <p>Roller Bolt strike</p> <p>Set up with overlay doors and roller bolt strike 1/4" filler plate required Strike #23.099</p>

IZERWAREN INC. - OTHER MARINE HARDWARE



WWW.IZERWAREN.COM

Phone: 954-763-6686

Fax: 954-522-6903