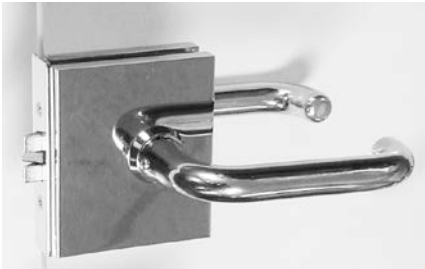


Exclusive Glass Door Hardware by Izerwaren.Com



BRASS PLATED GLASS DOOR LATCHES for 3/8 to 1/2 inch thick glass



#82.511 Shower door latch;
Material: Brass, Chrome Plated finish
For medium size cabin doors and shower doors
Levers depicted: #12.045; Sold separate

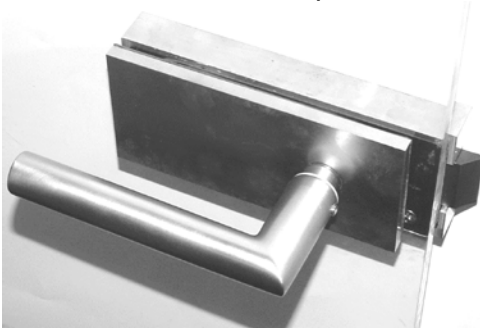


#82.1124 Strike Box



Latch #82.511 with levers #12.045
For 3/8 inch thick glass

316 STAINLESS STEEL GLASS DOOR HINGES for 3/8 to 1/2 inch thick glass



#84.D51 Latch SET exterior grade with strike box #84.D30
Lever #12.576 depicted.



Wall to glass hinge #85.112
316 Stainless steel

Exclusive Glass Door Hardware by Izerwaren.Com

BRASS PLATED GLASS DOOR LATCHES

for 3/8 to 1/2 inch thick glass



#82.511 Shower door latch;

Material: Brass, Chrome Plated finish

For medium size cabin doors and shower doors

Levers depicted: #12.045; Sold separate



#82.1124 Strike Box



Latch #82.511 with levers #12.045
For 3/8 inch thick glass



#82.755 set with strike box;
for light duty and small size doors
chrome plated brass

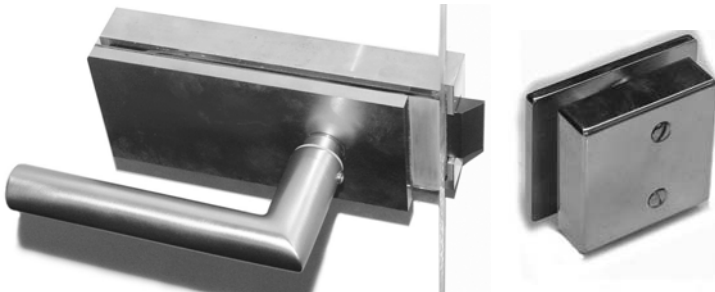
Lever depicted: #18.740 sold separately

316 STAINLESS STEEL GLASS DOOR HINGES

for 3/8 to 1/2 inch thick glass



Wall to glass hinge #85.112
316 Stainless steel



#84.D51 Latch SET exterior grade with strike box #84.D30

Satin chrome plated finish with satin stainless steel levers
for **full size door** marine and shower door applications

Lever #12.576 depicted.



Glass to glass #85.121
316 Stainless steel



#85.719 Glass clamping bracket Various sizes
Material: stainless steel, Satin or Mirror Polished.



45 degree glass to glass #85.109
316 Stainless steel



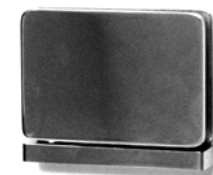
#82.148

#82.149

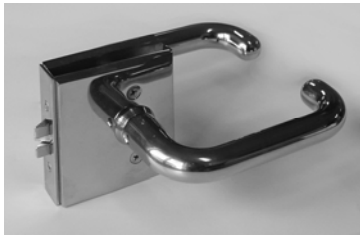
#82.147

#82.149A

Brass chrome plated, spring loaded; 76 mm high



Pivot hinge #85.926
316 Stainless steel



Set: #82.511.44

#82.511 Glass door latch with #12.045 Lever model
Polished Chrome Plated Brass lock & polished stainless steel lever



Set: #82.511.14

#82.511 for 3/8" and 1/2" glass doors with lever #12.547
Polished Chrome Plated Brass lock & polished stainless steel lever



Set #82.511.17

#82.511 for 3/8" and 1/2" glass doors with lever #12.527
Polished Chrome Plated Brass lock & polished stainless steel lever



Set #82.511.15

#82.511 Glass door latch with #RC.5093 Lever model
Polished chrome plated brass



Set #82.511.13

#82.511 Glass door latch with #18.956 Lever model
Polished chrome plated brass

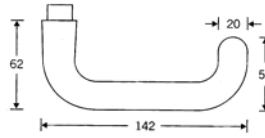


#82.511.12

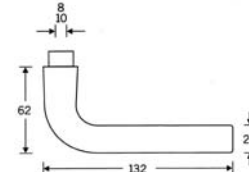
#82.511 Glass door latch with #16.740 Lever model

Glass door latch #82.511

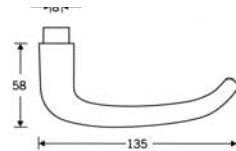
For 3/8" - 1/2" glass doors
For medium size doors with weight
up to 88 lbs.



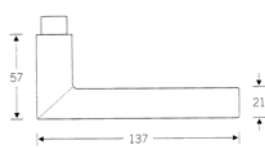
#12.045 lever pair
142 mm long overall



#12.547 lever pair
132 mm long overall



#12.527 lever pair
135 mm long overall



#12.576 Lever pair
137 mm long overall



#RC.5093 lever pair
105 mm long



#18.956 lever pair
107 mm long



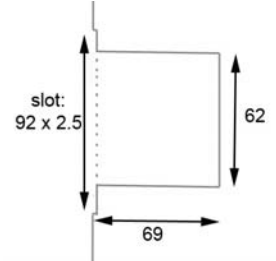
#16.740 lever pair
88 mm long



Latch 82.511

Size of casing
Installed on 3/8" glass:
3 1/8" W x 3 5/8" H. x 1" Thick
Both handed.

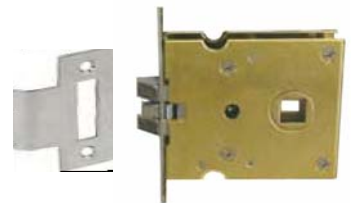
Cut out for latch:



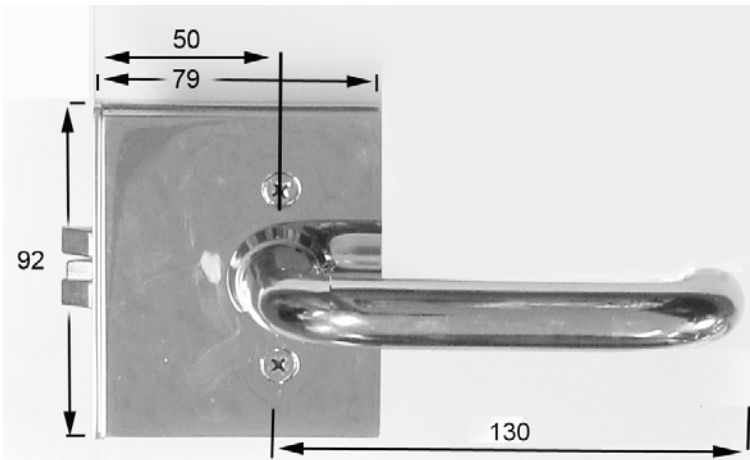
see also page 8-2-C-1



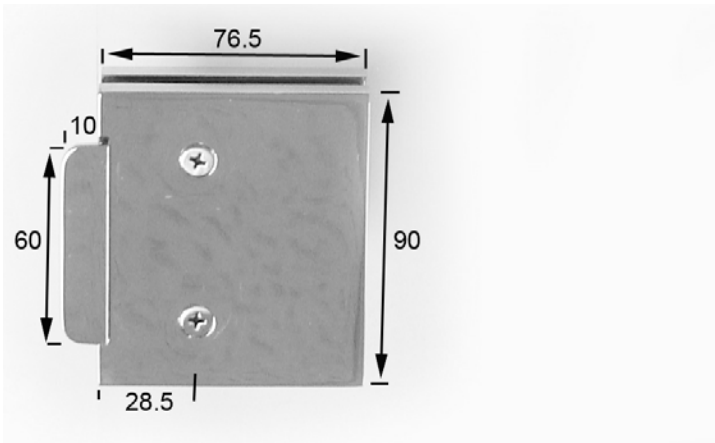
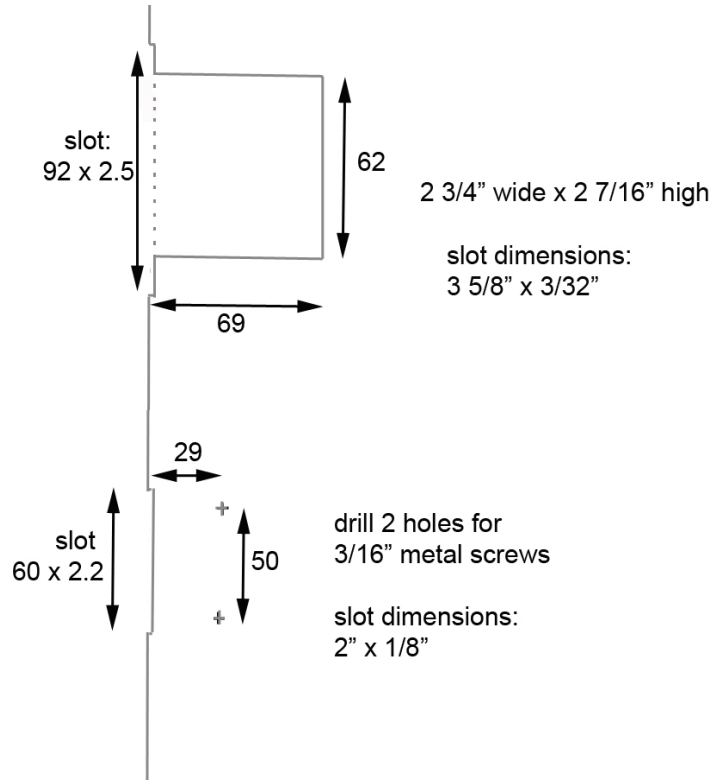
#82.511 Glass door latch sold
separate.



#82.4097-12; latch mechanism
Replacement mechanism:
Backset 50 mm;
Casing: 70 x 60 x 9 mm
Strike included

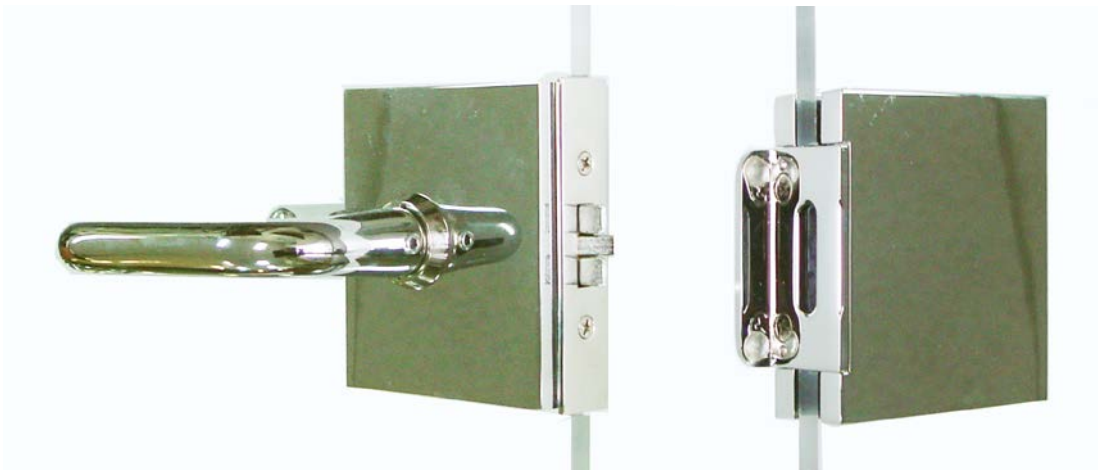


Dimensions glass door latch #82.511 showing lever #12.045



Dimensions glass door strike box 82.124

Sketch not to scale. Cut-outs for latch and strike box. For glass thickness 3/8" or 10 mm. .



Glass Door / Shower door latch #82.511; Strike box #82.124
Material: Brass, chrome plated finish
For medium weight glass doors and shower doors 75 lbs. / 110 lbs. 35 kg / 50 kg
Levers depicted: #12.045



SET: #82.511.12 Glass Door Latch #82.511 for 3/8" and 1/2" glass doors with lever #16.740
Polished Chrome Plated Brass



SET: #82.511.12 Glass Door Latch #82.511 for 3/8" and 1/2" glass doors with lever #16.740
Polished Chrome Plated Brass



SET: #82.511.13 Glass Door Latch #82.511 for 3/8" and 1/2" glass doors with lever #18.956
Polished Chrome Plated Brass



SET: #82.511.13 Glass Door Latch #82.511 for 3/8" and 1/2" glass doors with lever #18.956
Polished Chrome Plated Brass



SET: #82.511.14 Glass Door Latch #82.511 for 3/8" and 1/2" glass doors with lever #12.547
Polished Chrome Plated Brass lock with polished stainless steel lever



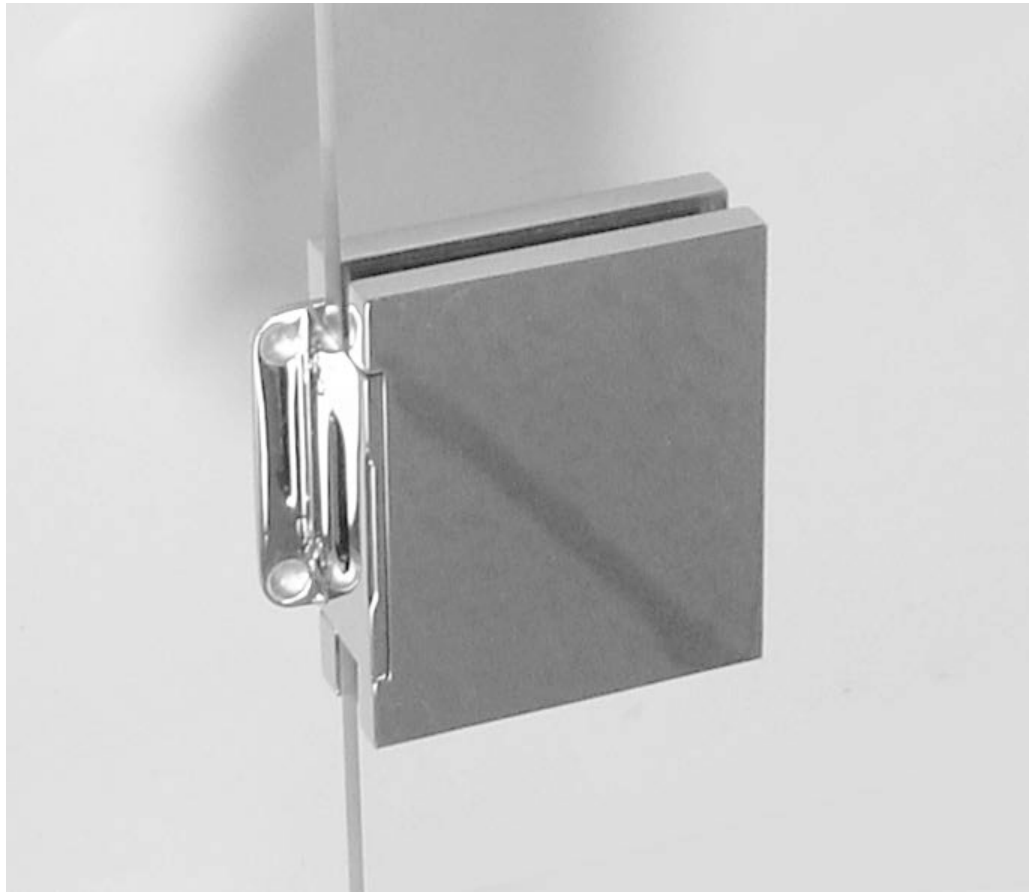
SET: #82.511.44 Glass Door Latch #82.511 for 3/8" and 1/2" glass doors with lever #12.045
Polished Chrome Plated Brass lock with polished stainless steel lever



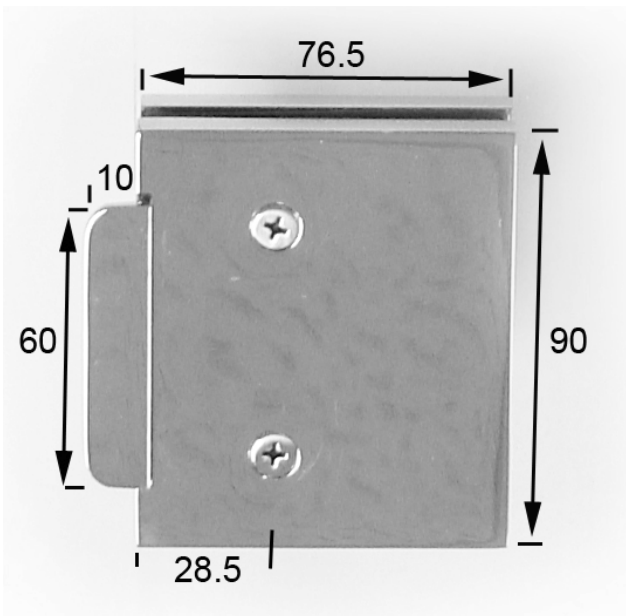
SET: #82.511.15 Glass Door Latch #82.511 for 3/8" and 1/2" glass doors with lever #FC.5093
Polished Chrome Plated Brass



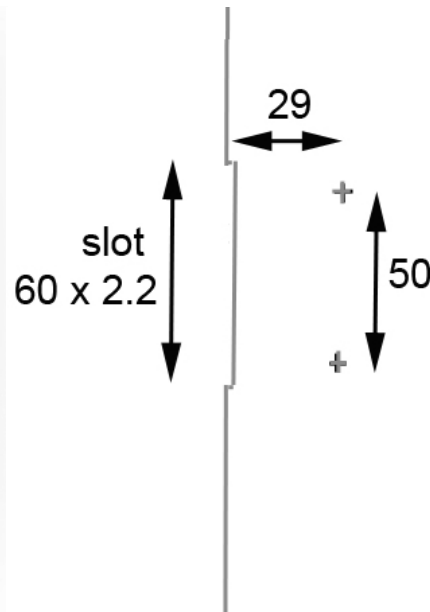
Latch #82.511 for 3/8" and 1/2" glass doors Uses standard size Izerwaren Lever Handles
Polished Chrome Plated Brass



#82.124 Strike box for latch #82.511. Polished Chrome Plated Brass



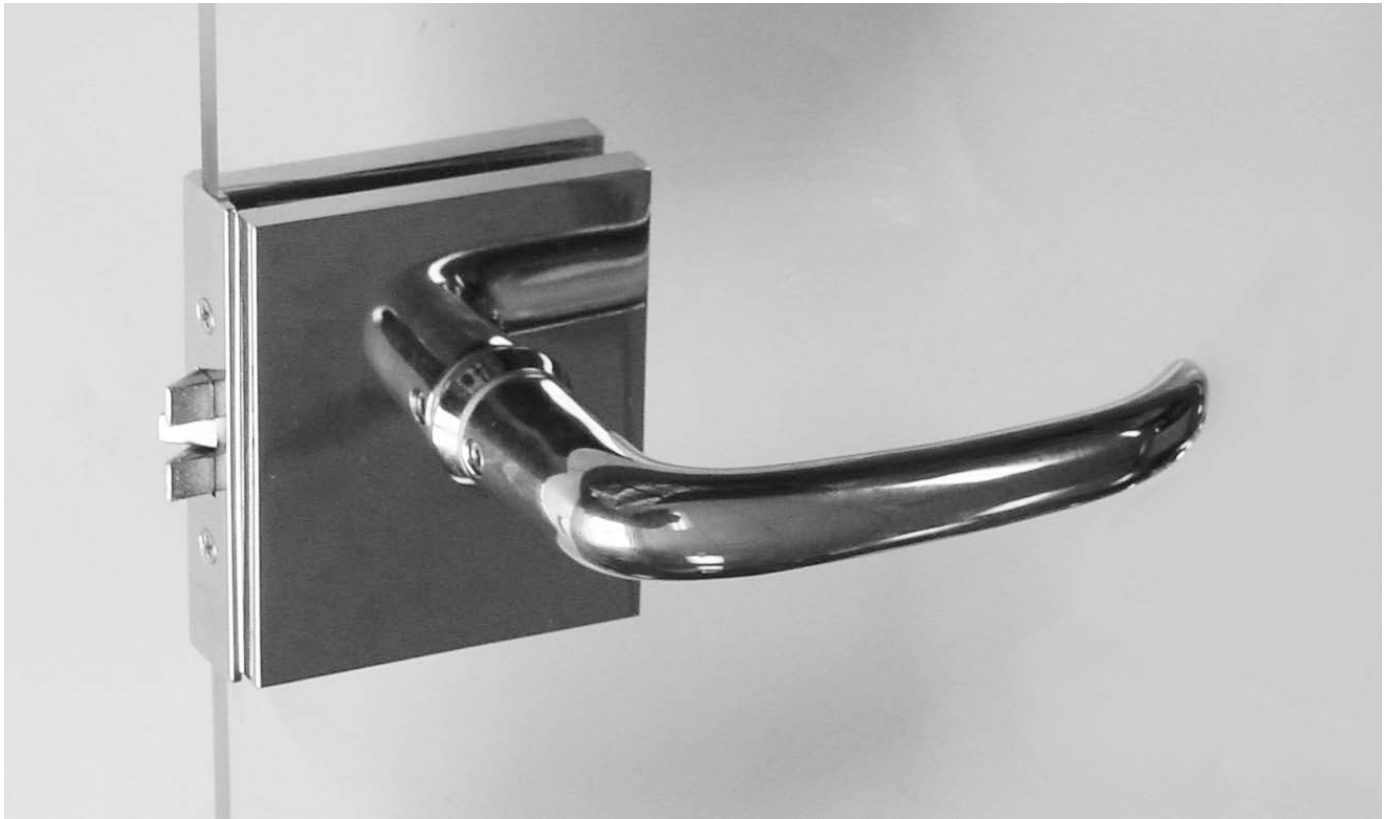
#82.1124 Strike Box
Polished Chrome Plated Brass



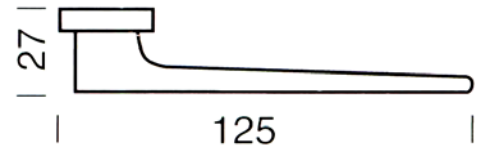
drill 2 holes for
3/16" metal screws

slot dimensions:
2" x 1/8"

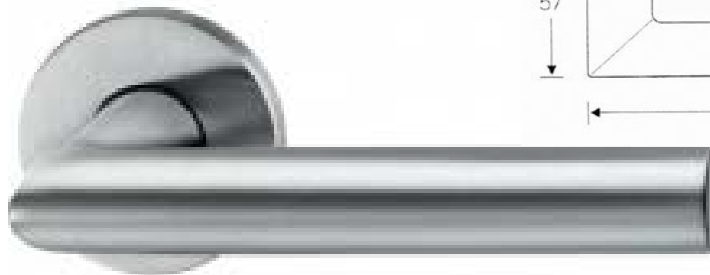
sketch not to scale.



SET: #82.511.17 Glass Door Latch #82.511 for 3/8" and 1/2" glass doors with lever #12.527
Polished Chrome Plated Brass Lever Polished Stainless Steel



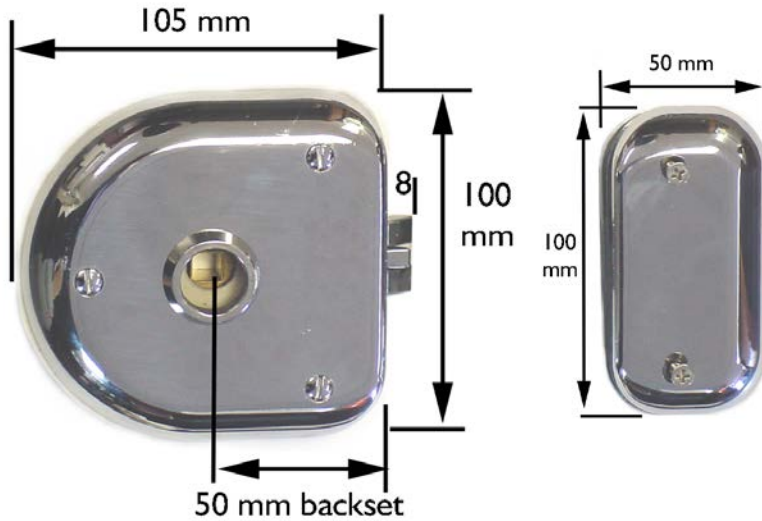
Glass door latch #82.511 with lever #11.1341; 125 mm overall; extend 25 mm or 1 inch from surface



#12.576 Lever; 137 mm long overall Extend 2 inch from surface



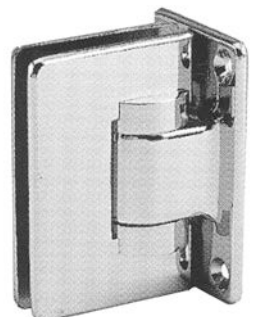
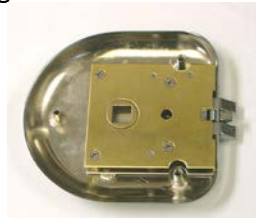
#82.715 latch. For doors up to 1/2" glass thickness **Strike Box #82.716** **Strike plate #82.717**
Polished Chrome Plated Brass Strike plate: 55 x 20 mm lip: 9 mm
Depicted with lever pair #18.740 - 86 mm long (3/3/8")



#82.715 latch dimensions #82.716 Strike Box dimensions
Parts sold separately or as a set.



#82.755 set
Mechanism, +Levers + Strike box + Strike plate.
For doors up to 75 lbs / 35 kg. For heavier doors see Pages 8-5-3; 8-6-2, 8-6-3

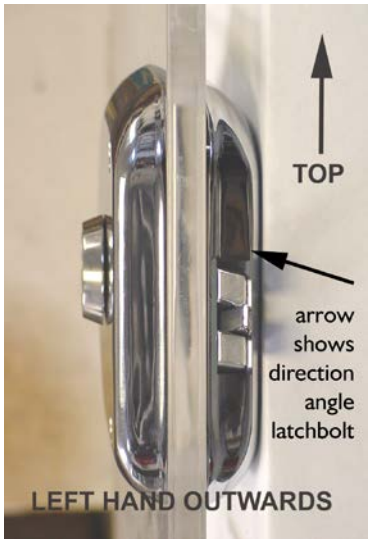
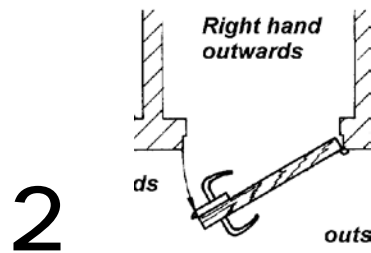
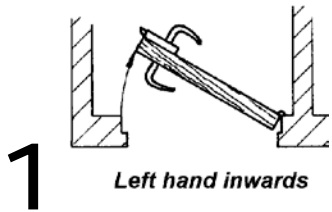


Matching hinges: Page 8-2-Ds

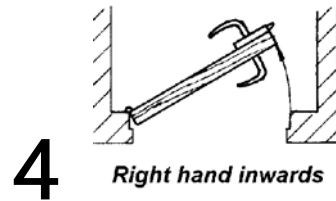
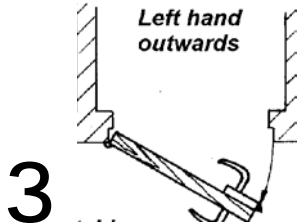
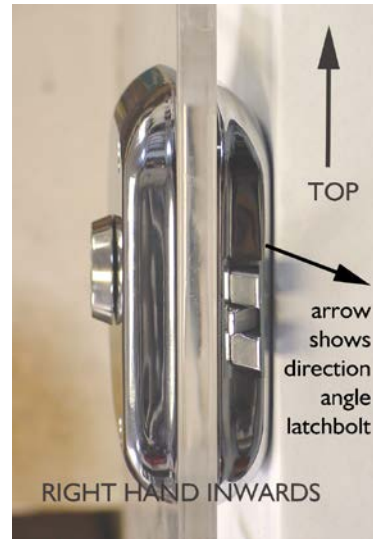
All parts solid brass / chrome
When inquiring for other design levers please call our office



Latch #82.715



Latch #82.715



Strike #82.717



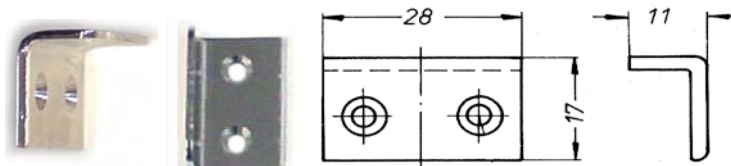
Angle strike #23.012



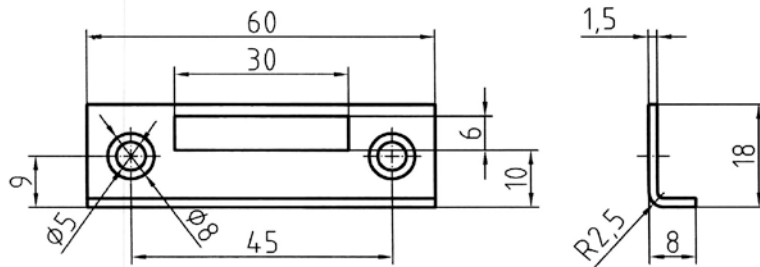
Strike 23.097



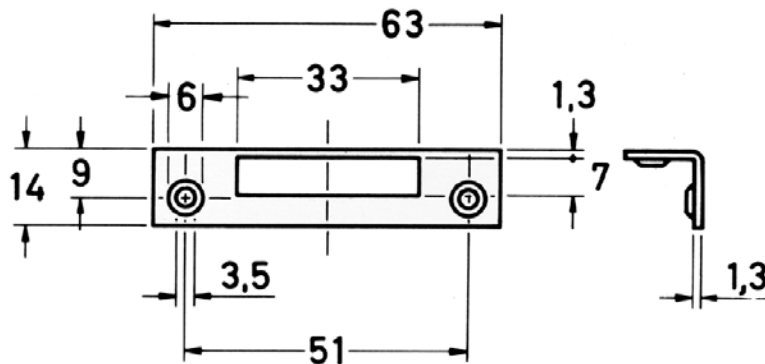
Strike plate #82.717 Standard strike with glass door latch #82.715 latch. See page



23.012 Strike plate angle
28 mm x 17 mm x 11 mm; nickel plated brass



23.097 Strike for overlay doors
Stainless steel 60 x 18 x 8 mm



22.0971 **Strike for overlay doors** nickel plated brass



Stainless Steel Glass Clamp Program - 6 mm / 10 mm / 12mm or 1/4" 3/8" to 1/2" glass thickness



Picture Top Left: Glass clamp #85.S21; Top Right: #84.2210; Middle left and Right and Bottom: #84.2210;

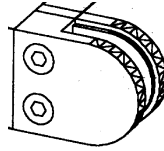




- Glass Clamps for glass or Plexiglas
- 1/4" 3/8" or 1/2" thick
- Specify finish:
S=Satin polished stainless steel
M=Mirror polished stainless steel

**Clamping model glass bracket small
satin finish #85.199S
mirror polished #85.199M**

For 1/4" glass or Plexiglas
Size: 29Lx24Wx10 mm; with radius
With black soft plastic inserts
304 stainless steel
for flat surface mounting



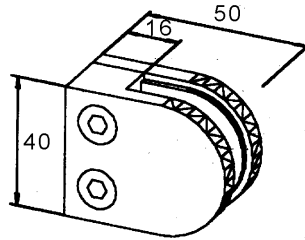
#85.199 glass wall bracket
24 mm high x 29 mm long
1" x 1 1/8"



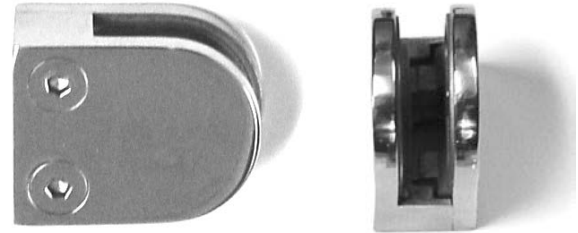
glass wall bracket #85.199
24 mm high x 29 mm long 1" x 1 1/8"

**Clamping model glass bracket
satin finish #85.S71S
mirror polished #85.S19M**

For 3/8" glass or Plexiglas 8-10 mm
Size: 63Lx45Wx16 mm;
With black soft plastic inserts
304 stainless steel
for flat surface mounting



#85.S71 glass wall bracket
40 mm high x 50 mm long
1 7/16" x 2"

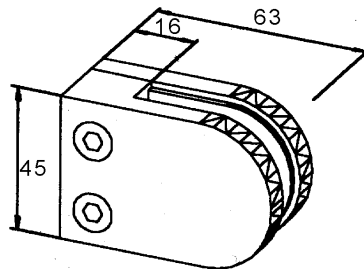


glass wall bracket #85.S71
40 mm high x 50 mm long 1 7/16" x 2"

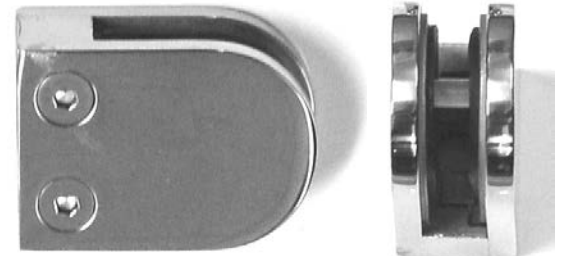
ALSO AVAILABLE FOR
1/4" GLASS (6MM)

**Clamping model glass bracket big
satin finish #85.719S
mirror polished #85.719M**

For 3/8" glass or Plexiglas
Size: 50Lx40Wx16 mm;
With black soft plastic inserts
304 stainless steel
for flat surface mounting



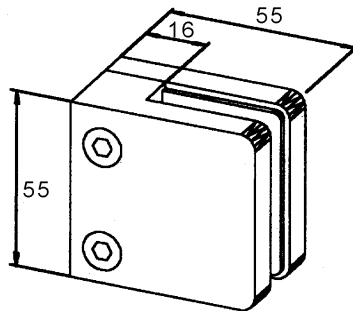
#85.719 glass wall bracket
45 mm high x 63 mm long 1 3/4" x 2.5"



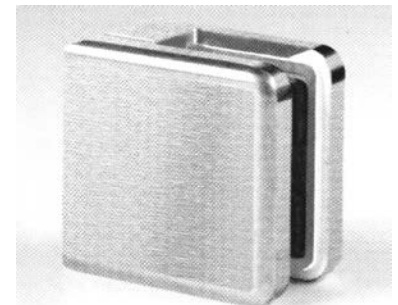
glass wall bracket #86.719
45 mm high x 63 mm long 1 3/4" x 2.5"

**Clamping model glass bracket square
satin finish #85.S21S
mirror polished #85.S21M**

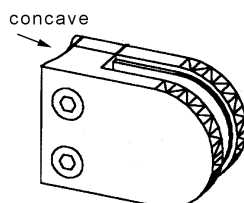
For 3/8" glass or Plexiglas
Size: 55L x 55W mm;
With black soft plastic inserts
304 stainless steel
for flat surface mounting



#85.S21 glass wall bracket
55 x 55 mm
2 3/16" x 2 3/16"



glass wall bracket #85.S21
55 x 55 mm 2 3/16" x 2 3/16"



All sizes available with concave back
for tube mounting

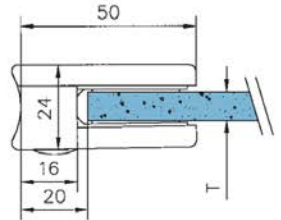
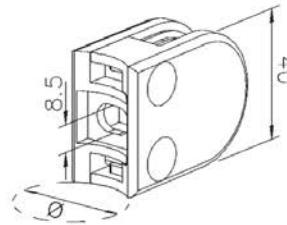
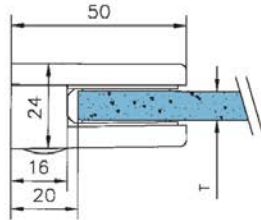
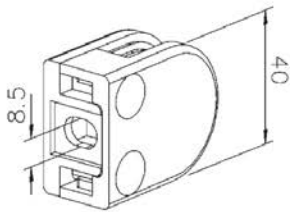


mirror polished finish



flach / plate / vlak

für Rohr / pour tube / voor buis



Art.Nr.	T (mm)
14.2006.000.12	6
14.2008.000.12	8

Art.Nr.	Ø (mm)	T (mm)
14.2006.033.12	33,7	6
14.2008.033.12	33,7	8
14.2006.042.12	42,4	6
14.2008.042.12	42,4	8



Art.Nr.	T (mm)
14.2007.000.12	6,76 (3 - 0,76 - 3)

Art.Nr.	Ø (mm)	T (mm)
14.2007.033.12	33,7	6,76 (3 - 0,76 - 3)
14.2007.042.12	42,4	6,76 (3 - 0,76 - 3)

84.2008 glass clamp 50 x 40 mm 316 satin stainless steel for 8 mm glass 33.7mm /42.4 mm radius

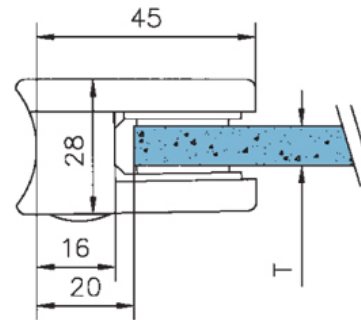
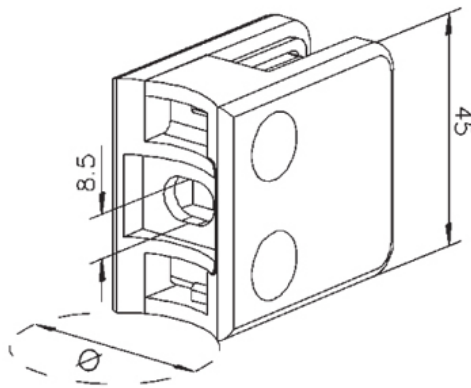


limited available in mirror polished finish



für Rohr / pour tube / voor buis

Ø 42,4



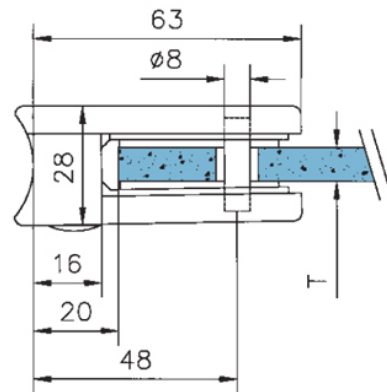
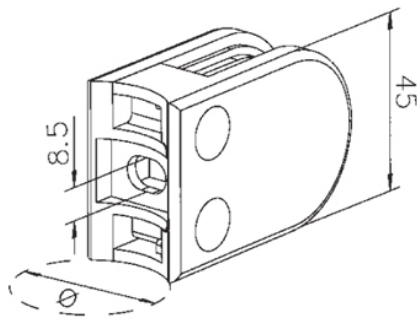
Art.Nr.	Ø (mm)	T (mm)
14.2106.042.12	42,4	6
14.2108.042.12	42,4	8
14.2110.042.12	42,4	10

Art.Nr.	Ø (mm)	T (mm)
14.2107.042.12	42,4	6,76 (3 - 0,76 - 3)
14.2109.042.12	42,4	8,76 (4 - 0,76 - 4)
14.2144.042.12	42,4	9,52 (4 - 1,52 - 4)

84.2110 glass clamp 45 x 45 mm 316 satin stainless steel for 10 mm glass 42.4 mm radius.



für Rohr / pour tube / voor buis



Art.Nr.	Ø (mm)	T (mm)
14.2206.042.12	42,4	6
14.2208.042.12	42,4	8
14.2210.042.12	42,4	10
14.2206.048.12	48,3	6
14.2208.048.12	48,3	8
14.2210.048.12	48,3	10

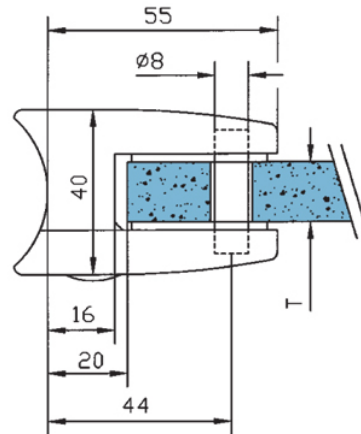
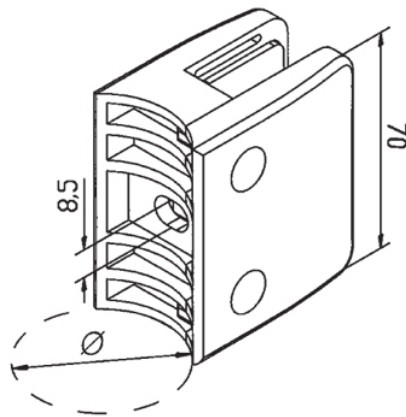
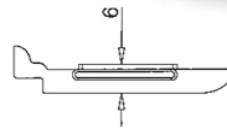
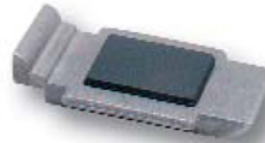
Art.Nr.	Ø (mm)	T (mm)
14.2207.042.12	42,4	6,76 (3 - 0,76 - 3)
14.2209.042.12	42,4	8,76 (4 - 0,76 - 4)
14.2244.042.12	42,4	9,52 (4 - 1,52 - 4)
14.2207.048.12	48,3	6,76 (3 - 0,76 - 3)
14.2209.048.12	48,3	8,76 (4 - 0,76 - 4)
14.2244.048.12	48,3	9,52 (4 - 1,52 - 4)

84.2210 glass clamp 63 x 45 mm 316 satin stainless steel for 10 mm glass 42.4 mm radius.



für Rohr / pour tube / voor buis

Ø 48,3



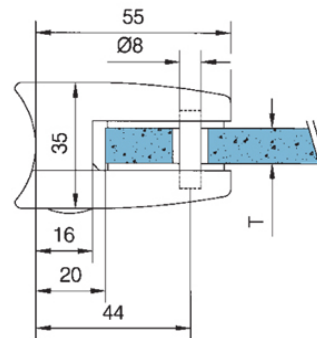
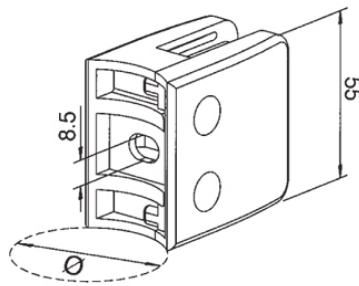
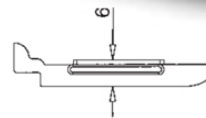
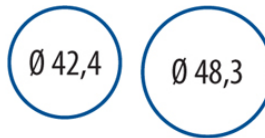
Art.Nr.	Ø (mm)	T (mm)
14.2412.048.12	48,3	12

Art.Nr.	Ø (mm)	T (mm)
14.2413.048.12	48,3	12,76 (6 - 0,76 - 6)
14.2417.048.12	48,3	16,76 (8 - 0,76 - 8)
14.2418.048.12	48,3	17,52 (8 - 1,52 - 8)
14.2444.048.12	48,3	9,52 (4 - 1,52 - 4)
14.2454.048.12	48,3	11,52 (5 - 1,52 - 5)
14.2464.048.12	48,3	13,52 (6 - 1,52 - 6)

84.2412 glass clamp 70 x 55 mm 316 satin stainless steel for 12 mm glass 48.3 mm radius.



für Rohr / pour tube / voor buis



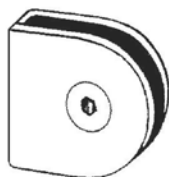
Art.Nr.	Ø (mm)	T (mm)
14.2608.042.12	42,4	8
14.2610.042.12	42,4	10
14.2612.042.12	42,4	12
14.2608.048.12	48,3	8
14.2610.048.12	48,3	10
14.2612.048.12	48,3	12

Art.Nr.	Ø (mm)	T (mm)
14.2609.042.12	42,4	8,76 (4 - 0,76 - 4)
14.2611.042.12	42,4	10,76 (5 - 0,76 - 5)
14.2613.042.12	42,4	12,76 (6 - 0,76 - 6)
14.2644.042.12	42,4	9,52 (4 - 1,52 - 4)
14.2654.042.12	42,4	11,52 (5 - 1,52 - 5)
14.2609.048.12	48,3	8,76 (4 - 0,76 - 4)
14.2611.048.12	48,3	10,76 (5 - 0,76 - 5)
14.2613.048.12	48,3	12,76 (6 - 0,76 - 6)
14.2644.048.12	48,3	9,52 (4 - 1,52 - 4)
14.2654.048.12	48,3	11,52 (5 - 1,52 - 5)

84.2612 glass clamp 55 x 55 mm 316 satin stainless steel for 12 mm glass 42.4 / 48.3 mm radius.

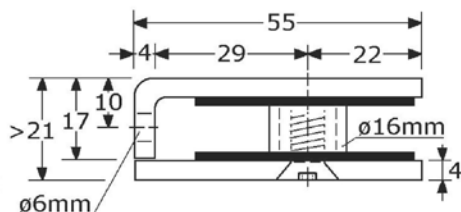


GLASS CLAMPS - PANEL CLAMPS, stainless steel

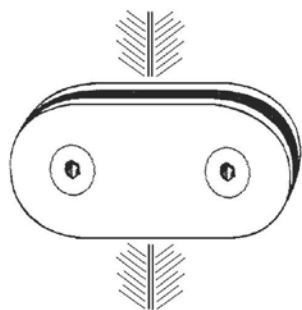


85.7201

wall glass clamp for flat wall mounting
stainless steel 304/A2 satin polished
front: without screw holes (nothing to see)
back: 1x hexagon socket countersunk screw M6
with black rubber packing
for 8-10-12mm glass
for 8-13mm TRESPA-plate
glass: 1x hole $\varnothing 16\text{mm}$ necessary,
1x nylon bush $\varnothing 15\text{mm}$ for nock $\varnothing 11\text{mm}$
rounded clamp, high 50mm, length 55mm
wall mounting with 2 holes $\varnothing 6\text{mm}$ c.t.c. 25mm
in boxes of 10 Pcs.

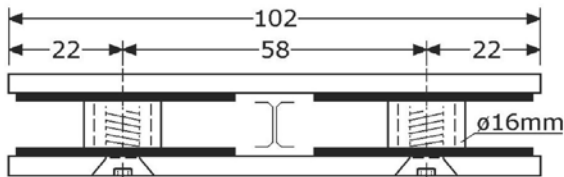


please give up your glass thickness



85.7203

glass clamp for glass-glass in line 180°
stainless steel 304/A2 satin polished
front: without screw holes (nothing to see)
back: 2x hexagon socket countersunk screws M6
with black rubber packing
for 8-10-12mm glass
for 8-13mm TRESPA-plate
glass: 2x hole $\varnothing 16\text{mm}$ c.t.c. 58mm necessary,
2x nylon bush $\varnothing 15\text{mm}$ for nock $\varnothing 11\text{mm}$
rounded clamp, high 50mm, length 102mm
in boxes of 10 Pcs.

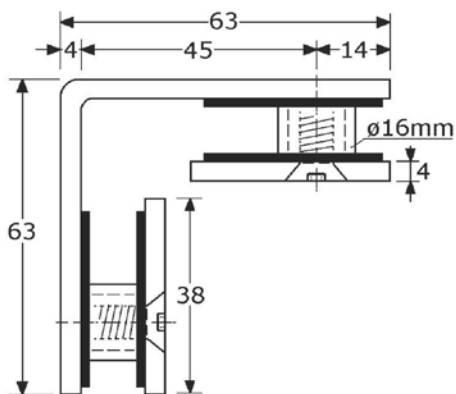


please give up your glass thickness

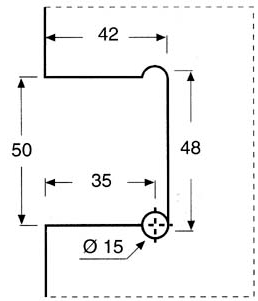
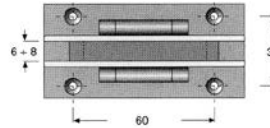
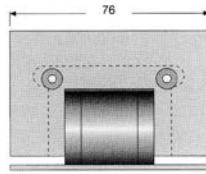
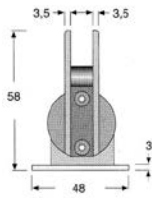
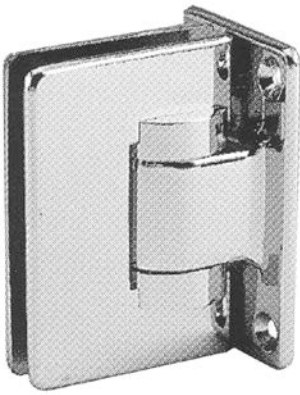


85.7209

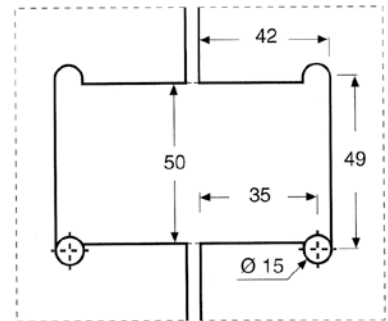
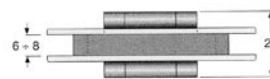
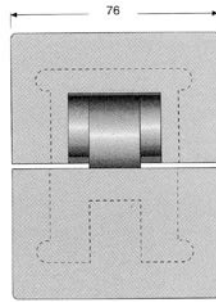
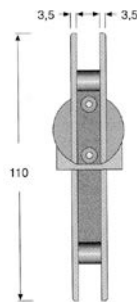
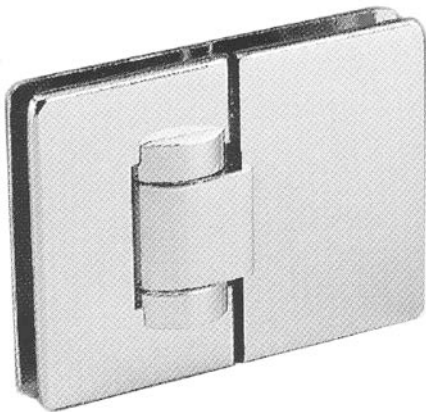
glass clamp for glass-glass hook mounting 90°
stainless steel 304/A2 satin polished
front: without screw holes (nothing to see)
back: 2x hexagon socket countersunk screws M6
with black rubber packing
for 8-10-12mm glass
for 8-13mm TRESPA-plate
glass: 2x hole $\varnothing 16\text{mm}$ necessary,
2x nylon bush $\varnothing 15\text{mm}$ for nock $\varnothing 11\text{mm}$
rounded clamp, high 50mm, length 63+63mm
in boxes of 10 Pcs.



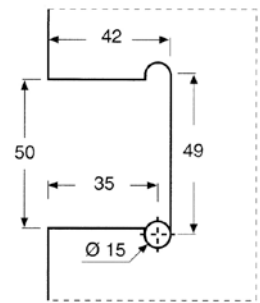
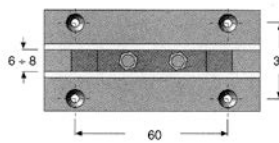
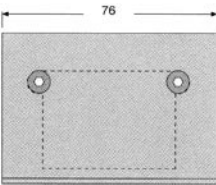
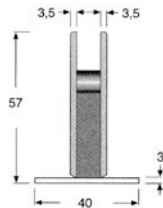
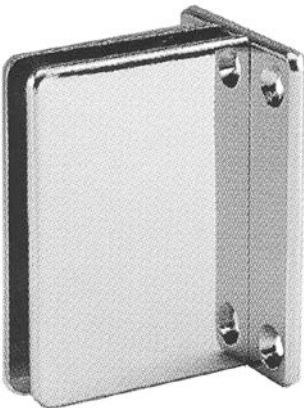
please give up your glass thickness



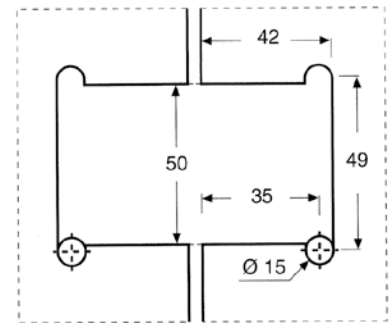
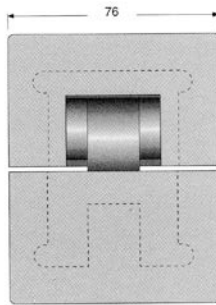
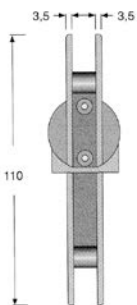
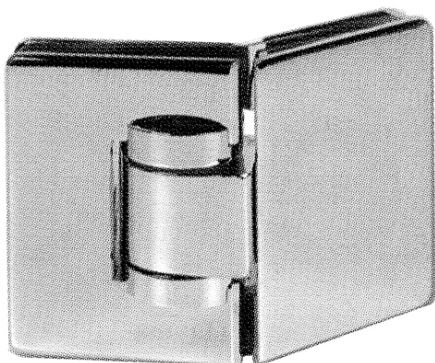
82.148 hinge, replacing #82.150 hinge
all brass, chrome plated; with stop at 90 and 180 degree For max. 3/8" glass or Plexiglas



82.149 chrome plated brass glass to glass hinge for max. 3/8" glass thickness



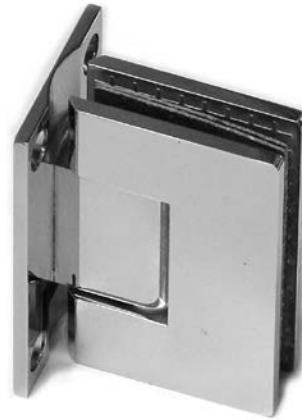
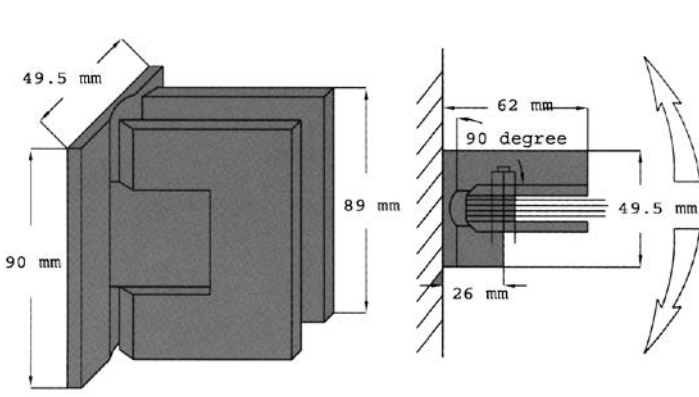
82.147 chrome plated brass glass to wall bracket for max. 3/8" glass thickness



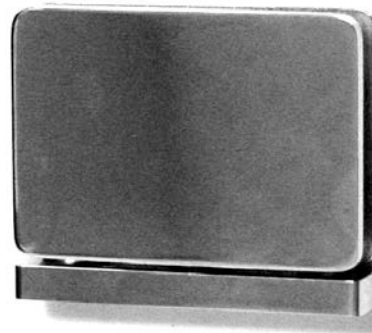
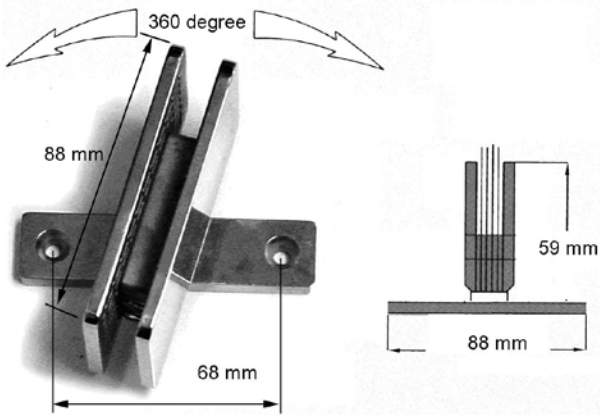
82.149 A chrome plated brass glass to glass hinge 135 degree for max. 3/8" glass thickness



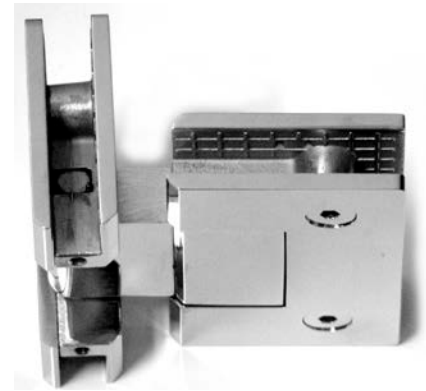
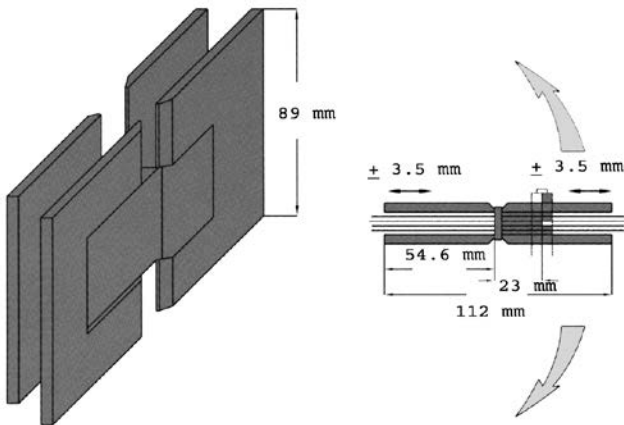
MIRROR POLISHED 316L STAINLESS STEEL also available in **Satin Stainless Steel**



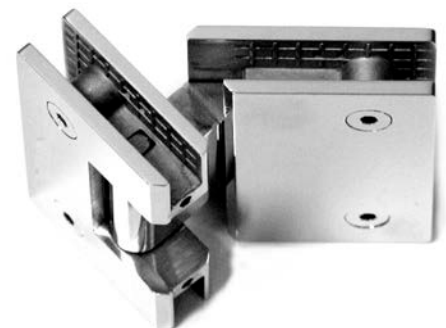
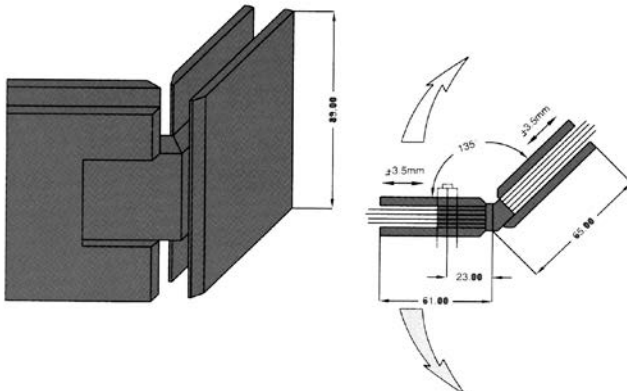
#85.112; 90 degree angle glass hinge on plate; for 10 to 12 mm -3/8 to 1/2 inch glass; leaf: 89 x 58 mm; (3 1/2 x 2 1/4 inch) Plate: 90 x 49.5 mm (3 1/2 x 1 15/16 inch)



#85.726; 360 degree swivel hinge; floor and ceiling mounting, glass 10 to 12 mm -3/8 to 1/2 inch glass; leaf: 88 x 59 mm; (3 1/2 x 2 1/4 inch) Plate 21 x 88 x 8 mm



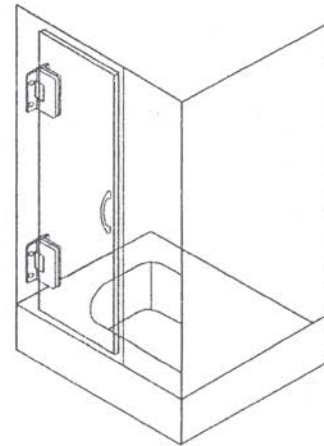
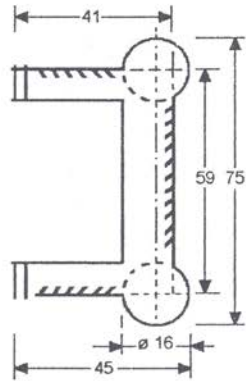
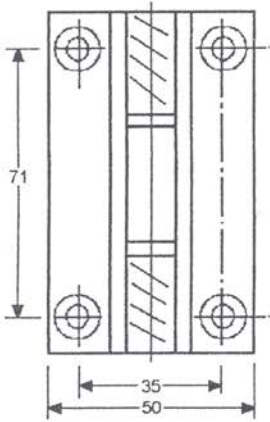
#85.121; Flush glass hinge for 10 to 12 mm -3/8 to 1/2 inch glass; leaf: 89 x 54.6 mm; (3 1/2 x 2 1/8 inch) total length 112 mm (4 inch)



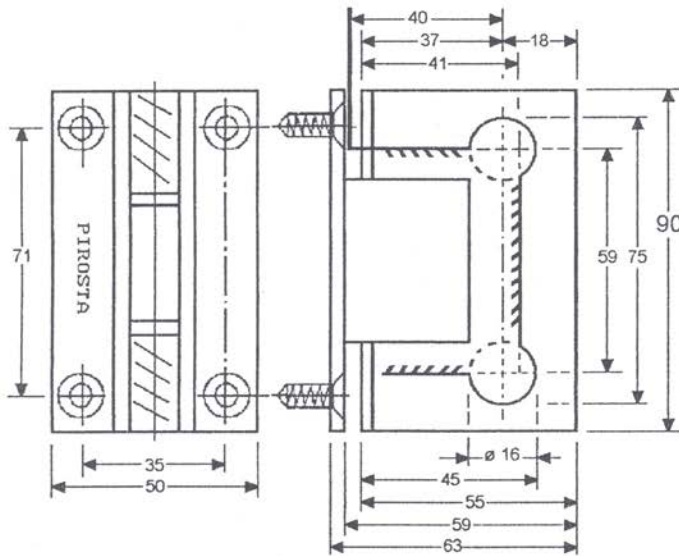
#85.109; 135 degree glass hinge for 10 to 12 mm -3/8 to 1/2 inch glass; leaf: 89 x 61 x 65 mm; (3 1/2 x 2 3/8 x 2 1/2 inch)



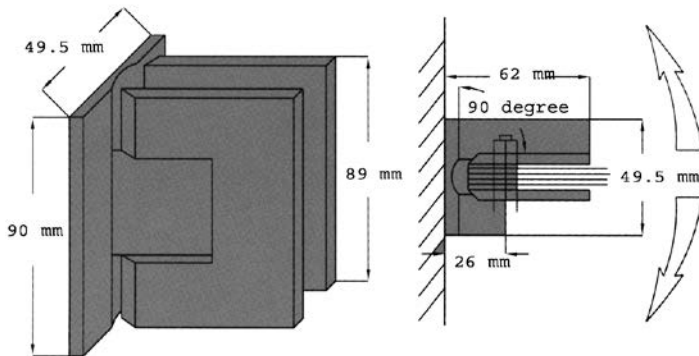
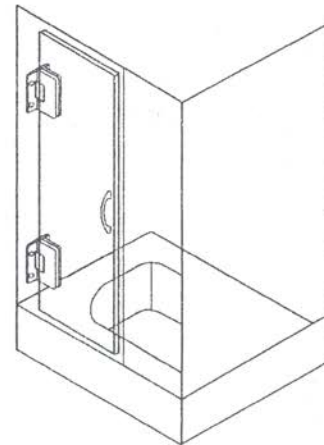
Cut outs for #85.112 hinge



cutout glass



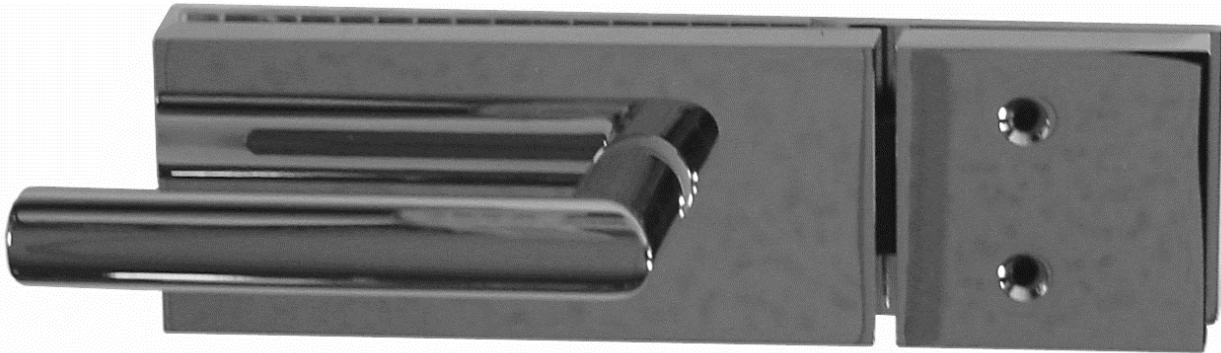
A4
316



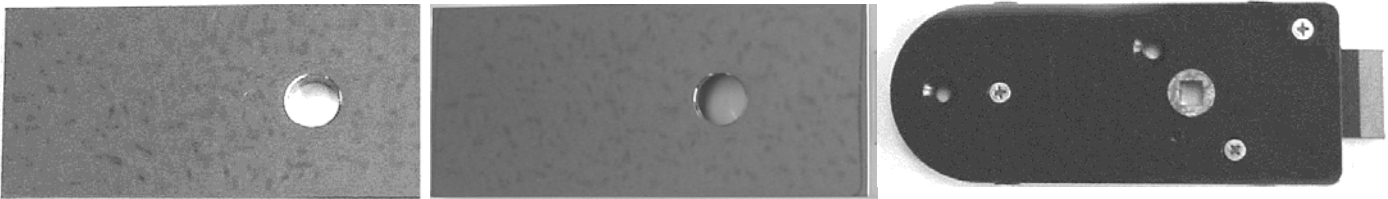
#85.112; 90 degree angle glass hinge on plate; 316 stainless steel glass hinges
For 10 to 12 mm -3/8 to 1/2 inch glass; leaf: 89 x 58 mm; (3 1/2 x 2 1/4 inch)
Plate: 90 x 49.5 mm (3 1/2 x 1 15/16 inch)



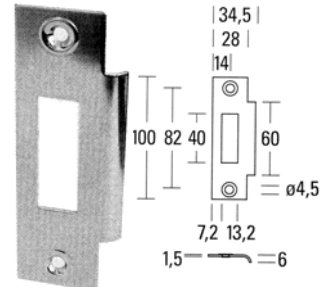
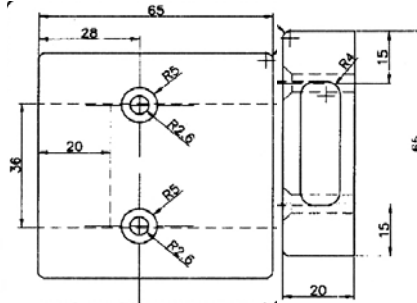
Shower Door Latch Specially Designed for a Marine Type of Environment
All Brass Parts with Stainless Steel Levers and Delron Bolt and Casing



SET: #84.D51; Glass Door latch set with strike box for 10/12 mm glass doors.
Polished chrome plated brass caps, showing polished stainless steel 'L' shaped levers #12.576;
With polished chrome plated Strike Box #84.D31
Casing Lock: 159 x 65 mm; Casing Strike Box: 65 x 65 mm.

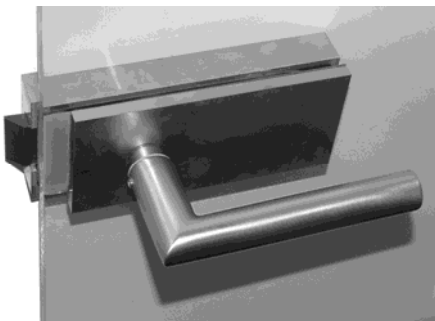


No. 84.D22: Mechanism +2 cover plates; screws, gaskets. Passage model only. Please Specify finish.



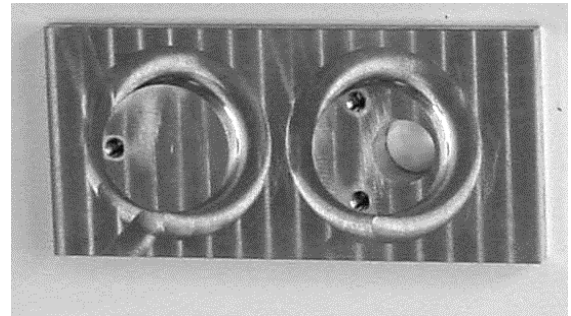
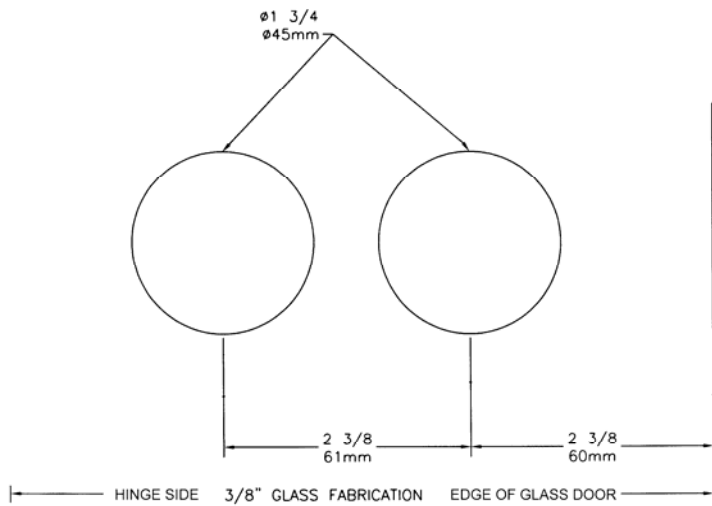
Strike Box #84.D30 , brass chrome plated; 65 x 65 x 20 mm;
Specify finish!

Strike Plate #43.142
100 x 34.5 mm



#84.D41 Mechanisms with covers and levers, satin or polished.

Possible lever shown: "Hard Angle": #12.576; Levers included in set. **All Lever Options Depicted on Page 8-2-C-0**



Outside short plate shown

Cut out for installation of marine grade door latch ##84.D22.



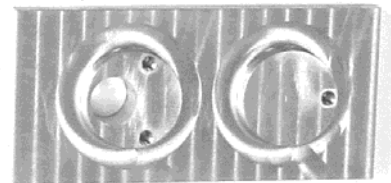
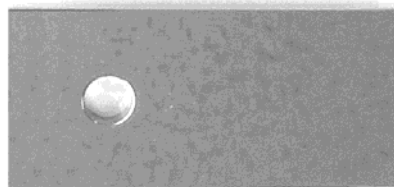
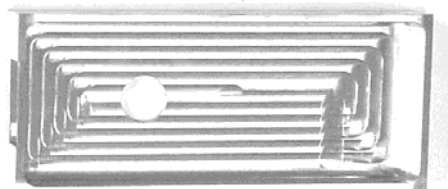
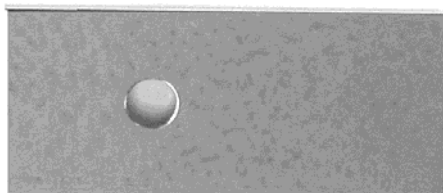
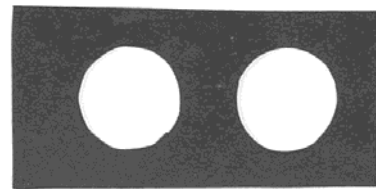
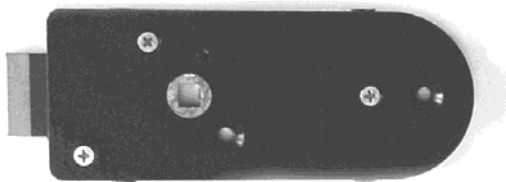
Outside plate



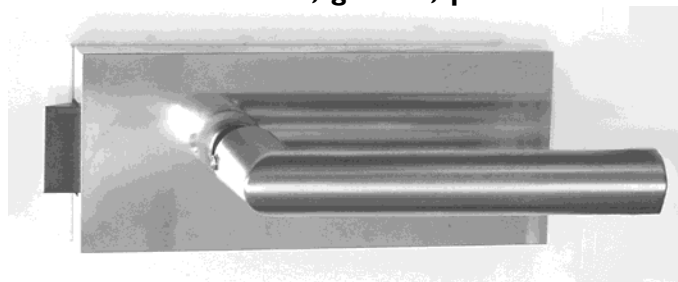
Inside plate



Strike box #84.D31



Mechanism, gasket, plates.



#84.D41 with levers #12.576

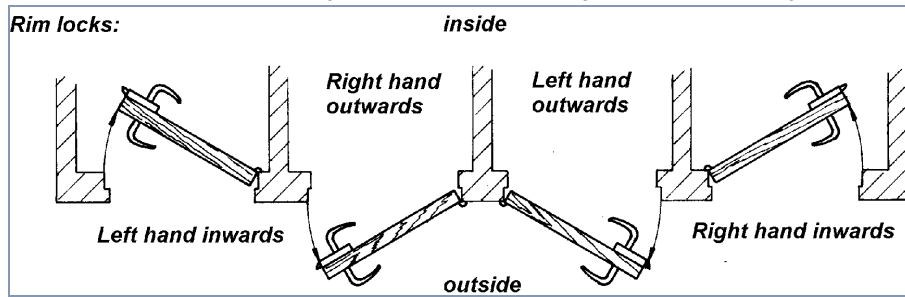


Left Hand Inward, showing inside

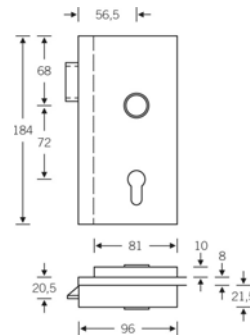


Left Hand Inward, showing outside

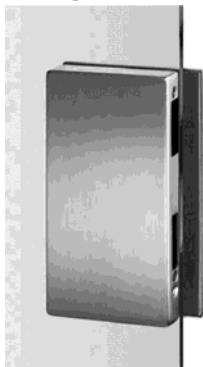
#82.5221 Left; SET Heavy duty glass door lock for interior use; steel lock parts. For use with Profile Cylinder
#82.5222 Right; SET Heavy duty glass door lock for interior use; steel lock parts. For use with Profile Cylinder
SET Include: Lock case, levers, profile cylinder and strike plate. (Strike box separate)
Casing and levers stainless steel; lock parts steel, Profile cylinder chrome plated brass; interior grade.



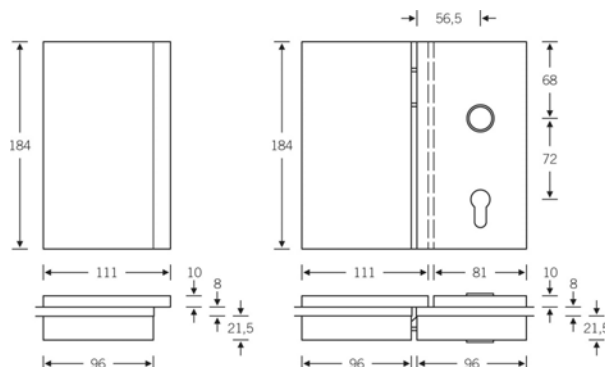
showing left hand side



#82.5221 Left; lock case; 56.5 mm backset; lock cases: 96 x 184 x 21.5 mm + 81 x 184 x 10 mm;
#82.5222 Right; lock case; 56.5 mm backset; lock cases: 96 x 184 x 21.5 mm + 81 x 184 x 10 mm



left hand shown



#82.8221 Left Hand; Strike Box with lip; cases: 96 x 184 x 21.5 mm + 111 x 184 x 10 mm
#82.8222 Right hand; Strike Box with lip; cases: 96 x 184 x 21.5 mm + 111 x 184 x 10 mm



ACCURATE + MODERN MINIMALISM
The new G17 + G017 Series



GS87 SLIDING DOOR



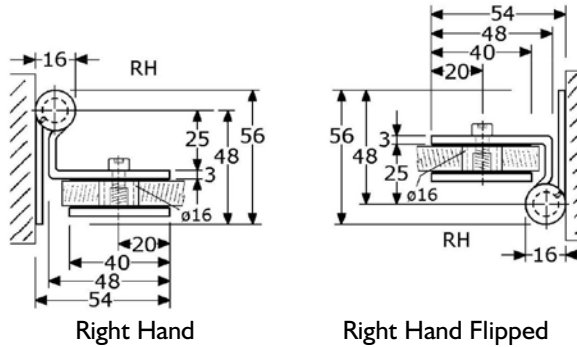
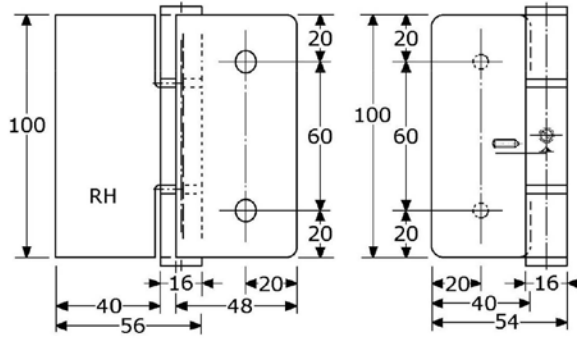
ACCURATE



G87 SWINGING DOOR



#86.274 Right Hand (DIN)

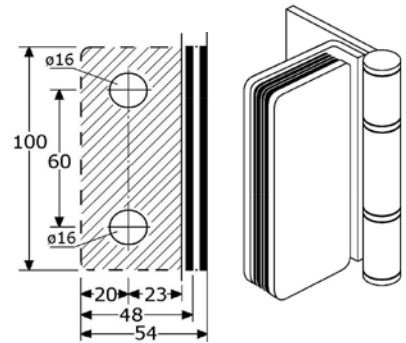


- Special Order Only**
Items below are non stocking items:
- 316 Stainless steel hinge for glass or Plexiglas.
 - Thickness: from 1/4", 3/8", 1/2 to 5/8" thick
 - Specify finish:
 S satin polished 316 stainless steel
 M mirror polished 316 stainless steel

#86.273 LH Glass Door Hinge

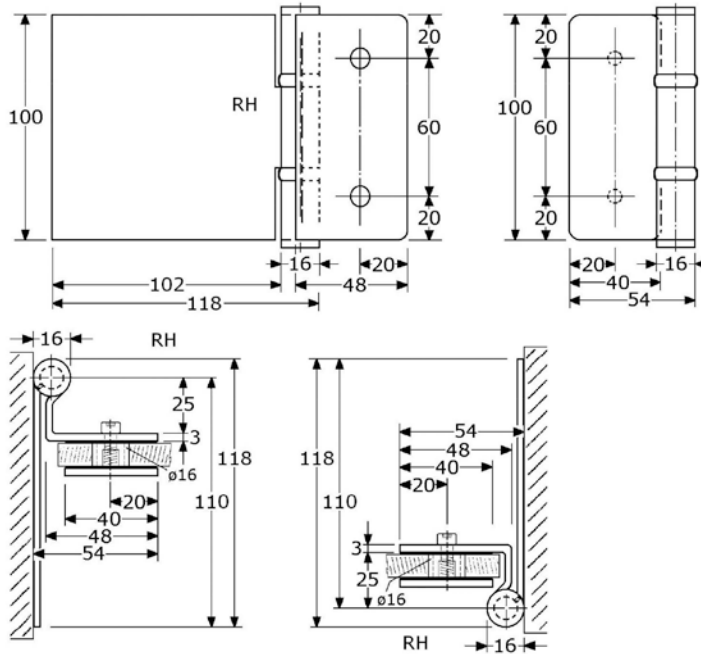
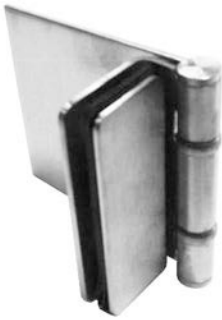
#86.274 RH Glass Door Hinge

No holes on frame leaf.
 For 1/4 to 5/8" glass or Plexiglas
 Size: 100 x 48 x 48 mm
 Pin 10 mm diameter (3/8")
 316 stainless steel
 Indication: Max weight door:
 using two hinges: 45 kg / 100 lbs.
 using three hinges: 63 kg / 140 lbs.



Glass cut out diagram.

#86.274 Right Hand (DIN) and #86.273 Left Hand (DIN) Glass Door Hinge without holes for frame mounting



#86.276 Right Hand (DIN) and #86.275 Left Hand (DIN) Glass Door Hinge without holes with **304 Stainless Steel Ball Bearings**

