



Izerwaren
Order
numbers

- Cabinet Rim lock, backset 25 mm - 1"
- Minimum door thickness 19 mm ~ 3/4"
- Strike plate not included with lock
- Both handed

FOR 3/4" THICK DOORS

SET Pushbutton lock: Mechanism + button + ring + angle strike. Polished chrome:



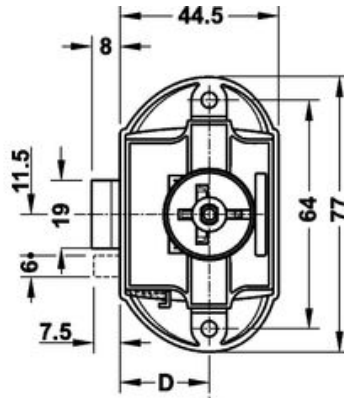
SET # 25.191.. Mechanism, button, ring, angle strike plate
Specify finish

25.191....

25.191.106	lacquered brass
25.191.266	chromeplated
25.191.506	lacq. brush. brass
25.191.566	brushed chrome
25.191.556	brushed nickel
25.191.286	polished gold
25.191.586	brushed gold
25.191.508	brushed stainless
25.191.308	polished stainless

23.225

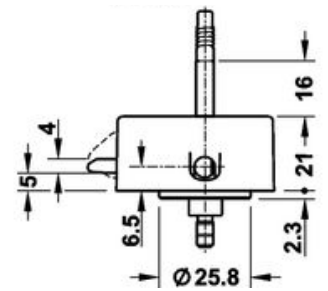
Push Button Mechanism separately
Case: 78 mm x 45 mm x 20 mm thick
Nickel plated plastic with zamac parts
For use with push-button and push-button-ring.



#23.225 Push button mechanism;
backset 1" / 25 mm Throw Bolt: 3/8" sides

23.052

Strike plate flush (225FLU)
58 mm x 10 mm, nickel plated brass



#23.225B:
Allows for buttons on both sides

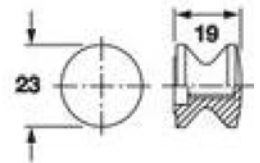
23.072

Strike plate angle, steel (225ANG)
40 mm x 12 mm x 12 mm; Nickel plated steel



25.125.266

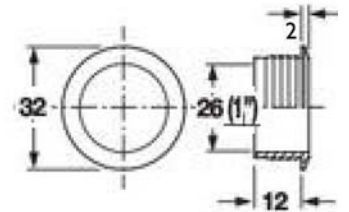
Push Button for thin wall ring
22.5 mm Ø x 19 mm M6 thread
Chrome plated brass



Depicted: Button & Ring # 25.125.266 Button polished chrome
#25.125.308 button polished stainless steel
#25.135.308 ring 26 mm polished stainless steel.

25.135.266

Ring for Push button set
26 mm Ø OD x 12 mm
(Make hole of 1" with drill bit or router)
Chrome plated brass



#25.135.266 Ring - Thin Wall Chrome 26 mm / 1 inch diameter

23.000

Fostner bit 1" mm diameter
for drilling holes for rings in wood panels



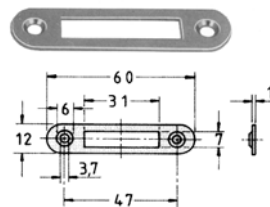
23.015

Extention 5/8" 1 1/2" thick door
Screws into button

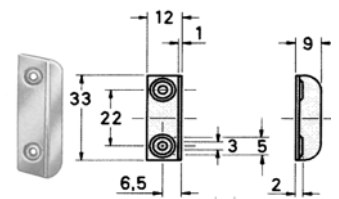


23.067

Filler plate - 1 mm thick
3 filler plates / shims provid approx. 1/8"



Flush strike plate #23.052
(choose angle strike or flush strike)



angle strike plate #23.072

Please Specify Finish Button and Ring



Izerwaren
Order
numbers

3 point locking mechanism for light cabinet doors
up to 6' 7" high
Can be used as 2 point locking (up and down)
Can be used as 1 point locking (up or down)

23.225 **Push Button Mechanism** (details page 2-3)

23.002 **Espagnolette bolt sets**

1 set:
2 rods of 6 mm x 1000 mm
2 hooks
2 pins
2 guides
Rods nickel plated steel, other parts nickel plated
dycast.

PARTS SEPARATE:

23.052 **Strike flush (225FLU)**
58 mm x 10 mm, nickel plated brass

23.072 **Strike plate angle (225ANG)**
40 mm x 12 mm x 12 mm; Nickel plated steel

23.012 **Strike plate angle (226ANG)**
30 mm x 13 mm x 8 mm; nickel plated brass

23.015 **Extension Brass (225EX)**
15 mm (5/8") To allow for door thickness of approx.
1 1/4" Use lock-tite to arrest button

23.005 **Extension Brass (228EX)**
5 mm To allow for door thickness 24 mm
(Hollow core doors + veneer).

23.008 **Extension Brass (227EX)**
8 mm To allow for door thickness of 27 mm
(for drawers with hollow core faces + veneer)

23.067 **Filler plates clear plastic**
1 mm thick filler plates; use when cabinet door
thickness is less then 19 mm ~ 3/4".

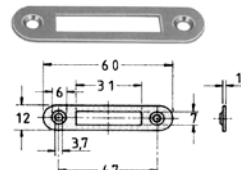
23.415 **Hooks**, set of two, mirror image,
specify top or bottom

23.3151 **Guides for hooks**, nickel plated diecast

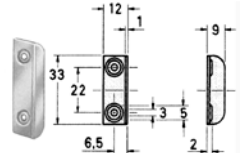
23.065 **Rods** 6 or 8 mm diameter, 1000 mm long, steel
nickel plated. Other sizes on request available

23.011 **Guides for rod**
guides for rod 6 mm diameter, nickel plated diecast

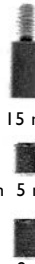
23.030 **Strike pin on plate (225PIN)**
to arrest hooks, to be mounted on door sill;
adjustable.



#23.052 Strike plate flush for lock



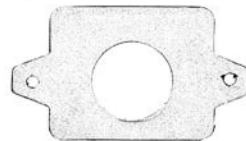
#23.072 Strike plate angle for lock



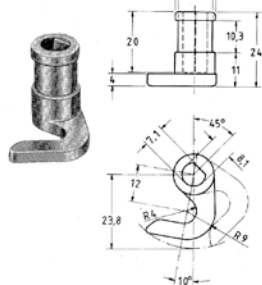
#23.015 Extension 15 mm - 5/8 with thread

#23.005 Extension 5 mm - glue in button

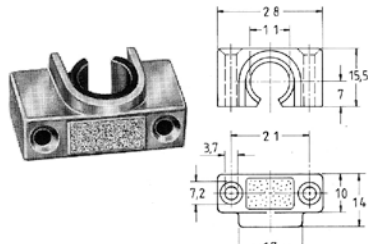
#23.008 Extension 8 mm glue in button



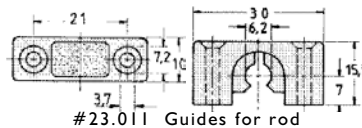
#23.067 Filler plate 1 mm



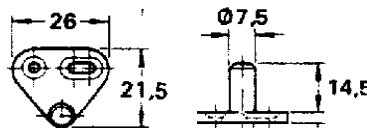
#23.415 Hooks, set of two



#23.3151 Guides for hooks



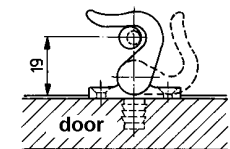
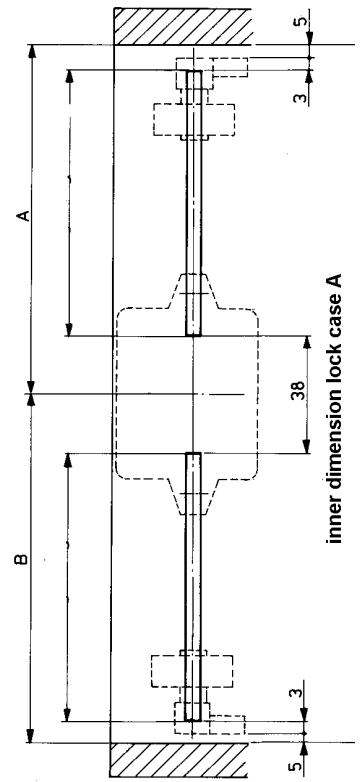
#23.011 Guides for rod



#23.030 Strike pin on plate for hooks



Three point lock with
espagnolette bolts and hooks
top and/or bottom locking



Espagnolette bolts diagram
For up and down or
up or down locking

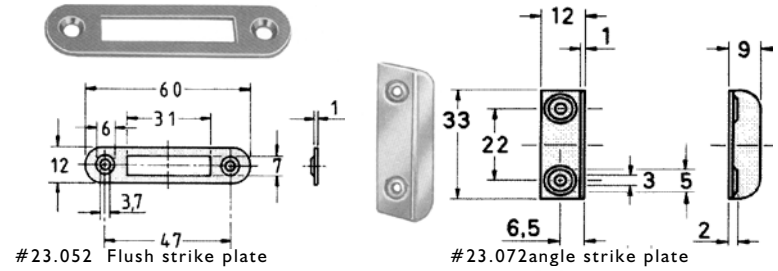
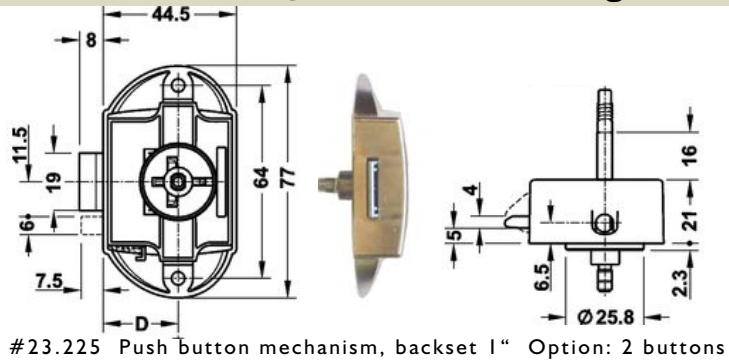


Izerwaren
Order
numbers

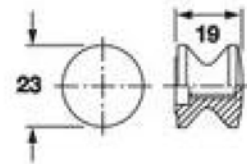
- Cabinet Rim lock, backset 25 mm - 1"
- Minimum door thickness 19 mm ~ 3/4"
- Strike plate not included with lock
- Both handed

**FOR 3/4" AND 5/8" THICK DOORS;
PLASTIC BUTTON AND RING**

- 23.225 **Push Button Mechanism (22522)**
Case: 78 mm x 45 mm x 20 mm thick
Nickel plated plastic with zamac parts
For use with push-button and push-button-ring.
- 23.052 **Strike plate flush (225FLU)**
58 mm x 10 mm, nickel plated brass
- 23.072 **Strike plate angle (225ANG)**
40 mm x 12 mm x 12 mm; Nickel plated steel
- 23.012 **Strike plate angle (226ANG)**
30 mm x 13 mm x 8 mm; nickel plated brass
- 23.933 **Push button Plastic Polished Nickel**
22.5 mm x 19 mm x M6 (13/16" x 3/4")
- 23.934 **Push button Plastic Satin Nickel**
22.5 mm x 19 mm x M6 (13/16" x 3/4")
- 23.935 **Push button Plastic Polished Brass Color**
22.5 mm x 19 mm x M6 (13/16" x 3/4")

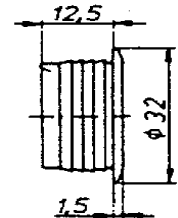


- For Material 3/4" thick:**
- 23.945 **Ring Plastic Polished Nickel**
26 mm x 18 mm (1 3/16" x 23/32")
(Make hole of 1 3/16" with drill bit or router)
for 3/4" doors: thin ring
- 23.946 **Ring Plastic Satin Nickel**
26 mm x 18 mm (1 3/16" x 23/32")
(Make hole of 1 3/16" with drill bit or router)
for 3/4" doors: thin ring
- 23.947 **Ring Plastic Polished Brass (color)**
26 mm x 18 mm (1 3/16" x 23/32")
(Make hole of 1 3/16" with drill bit or router)
for 3/4" doors: thin ring

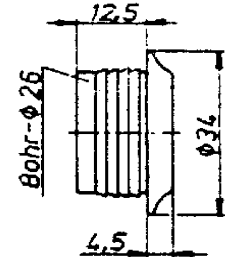


Plastic Button for thin wall ring

- For Material 5/8" thick: (plastic only)**
- 23.941 **Ring Plastic Polished Nickel**
26 mm x 18 mm (1 3/16" x 23/32")
(Make hole of 1 3/16" with drill bit or router)
for 5/8" doors: thick ring
- 23.942 **Ring Plastic Satin Nickel**
26 mm x 18 mm (1 3/16" x 23/32")
(Make hole of 1 3/16" with drill bit or router)
for 5/8" doors: thick ring
- 23.943 **Ring Plastic Polished Brass (color)**
26 mm x 18 mm (1 3/16" x 23/32")
(Make hole of 1 3/16" with drill bit or router)
for 5/8" doors: thick ring



Plastic Ring for 3/4" thick material; drill hole 26 mm diameter

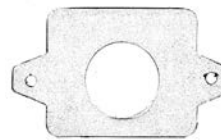


Plastic Ring for 5/8" thick material; drill hole 26 mm diameter

- 23.000 **Fostner bit 1" mm diameter**
for drilling holes for thin rings in wood panels

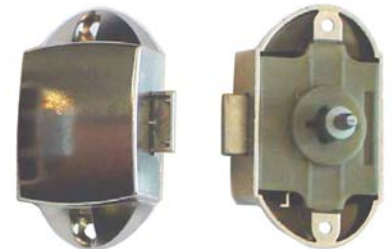


- 23.015 **Extention 5/8" | 1/2" thick doors**
Screws into button



extension #23.015 filler plate #23.067

- 23.067 **Filler plate -1 mm thick**
3 filler plates provide aprox. 1/8" filling



mechanism #23.225

FOR BRASS BUTTONS PLEASE SEE PAGE 2-3



Izerwaren
Order
numbers

- Cabinet Rim lock, backset 15 mm - "
- Minimum door thickness 16 mm ~ "
- Both handed

CUSTOM ORDERS ONLY MINIMUM QUANTITY 50X

24.2259 **SET: Mechanism, Button, Ring, Strike**
Backset: 15 mm or 5/8"
Door thickness: 16 mm or 22/32"

24.225 **Push Button Mechanism**
 Case: 78 mm x 45 mm x 20 mm thick
 Nickel plated plastic with zamac parts
 For use with push-button and push-button-ring.

24.125 **Push Button Brass**
 22 mm x 20 mm x M6 (7/8" x 3/4" x M6)
 Specify finish, see page 2-3 in stock

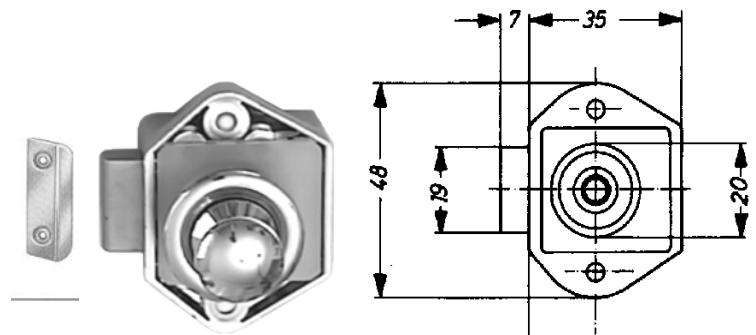
24.435 **Ring Brass "ANGLE"**
 20 mm x 9 mm (3/4" x 3/8")
 (Make hole of 20 mm / 25/32" with drill bit or router)
 Specify finish, see page 2-3

24.971 **Push Button Plastic, satin nickel**
 16 mm x 29 mm x M6 (5/8" x 3/4" x M6)
 Specify finish, see page 2-3

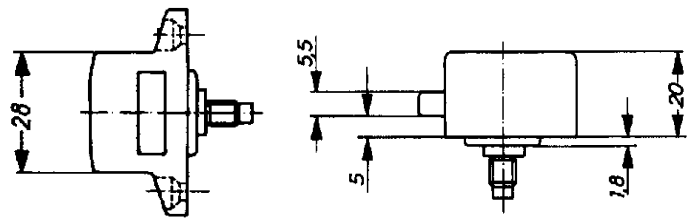
24.973 **Push button Ring plastic, satin nickel**
 22 mm x 9 mm (7/8" x 3/8")
 (Make hole of 7/8" with drill bit or router)
 Specify finish, see page 2-3

23.974 **Push Button plastic brass color**
 16 mm x 29 mm x M6 (5/8" x 3/4" x M6)
 Specify finish, see page 2-3

23.975 **Push button Ring plastic, brass color**
 30 mm x 18 mm (1 3/16" x 23/32")
 (Make hole of 1 3/16" with drill bit or router)
 Specify finish, see page 2-3

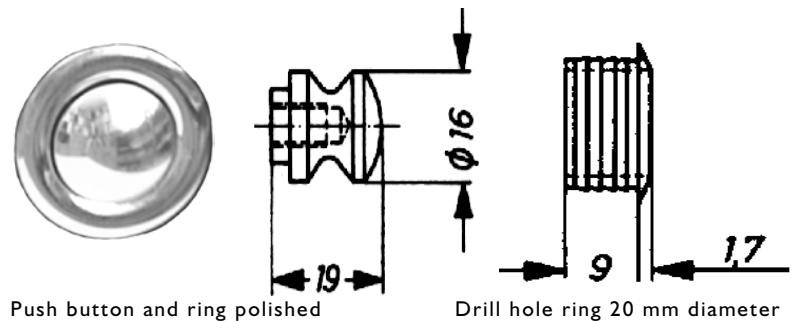
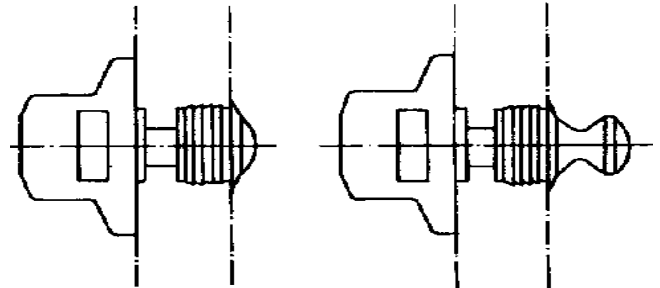


#24.2259 Mechanism set shown with button and ring and angle strike



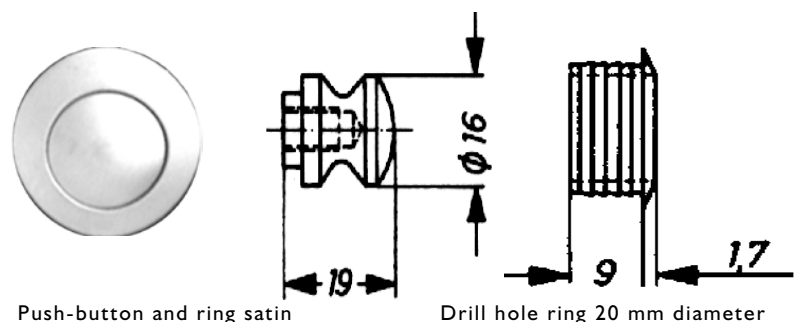
closed

open



Push button and ring polished

Drill hole ring 20 mm diameter



Push-button and ring satin

Drill hole ring 20 mm diameter





ORDER SET Mechanism WITH BIG ROUND BUTTON & SQUARE RING

2-3-5 C-A

"A SET MAKES THE INSTALLATION A SUCCESS"

SET CONSIST OF THE FOLLOWING PARTS:

ORDER SETS:

Polished Brass Lacquered button & square ring

25.2125: 25 mm backset mechanism with installation kit

Polished Gold Plated button & square ring

25.21251: 25 mm backset mechanism with installation kit

Polished Chrome Plated button & square ring

25.21252: 25 mm backset mechanism with installation kit

Satin Chrome button & square ring

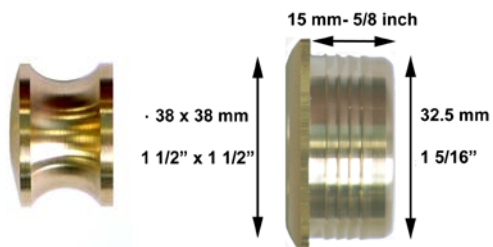
25.21253: 25 mm backset mechanism with installation kit

Polished Nickel button & square ring

25.21254: 25 mm backset mechanism with installation kit

Satin Nickel button & square ring

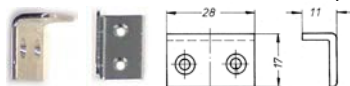
25.21255: 25 mm backset mechanism with installation kit



Button diameter: 28.2 mm or 1 1/8"

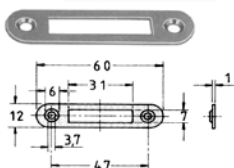
Strike plate, angle (included)

28 mm x 17 mm x 11 mm; nickel plated brass



23.012 Strike plate flush (order separate)

60 mm x 12 mm, nickel plated brass

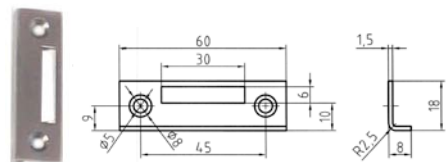


23.052

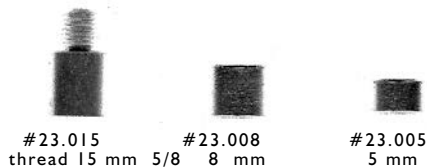
Strike for overlay doors (separate)

Stainless steel 60 x 18 x 8 mm

23.097



EXTENSIONS:

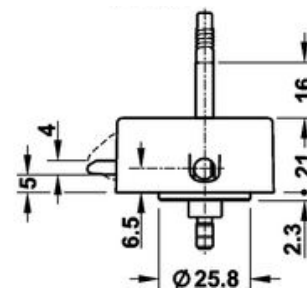
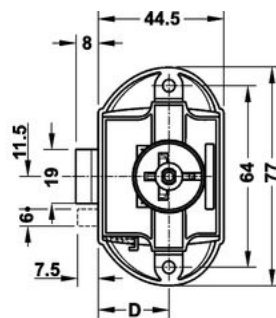


Button #24.812
Satin Nickel finish

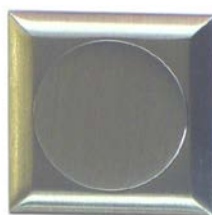
Ring #24.813
Satin Nickel finish

Mechanism:
#23.225
25 mm backset

Strike angle:
#23.012



MECHANISM D=1" BACKSET; DOORTHICKNESS 3/4".



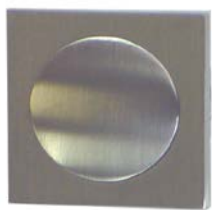
#24.811 + #24.813
Button flat + ring curved



#24.821 + #24.813
Button round + ring curved



#24.831 + #24.813
Button stepped + ring curved



#24.821 + #24.812
Button round + ring flat



#24.811 + #24.812
Button flat + ring flat



#24.831 + #24.812
Button stepped + ring flat

Pictures: Finish: Satin Nickel Material: Brass