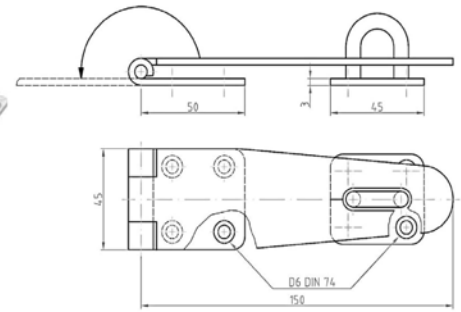




Izerwaren  
Order  
numbers

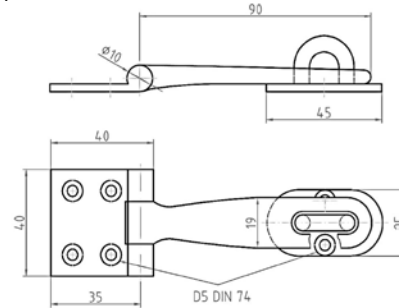
- Solid Brass lid hasps
- Seawater resistant
- Rattle free
- Finish: Chrome plated brass

46.570 **Hasp, medium duty**  
With plate lockable by means of padlock  
45 x 150 mm  
Chrome



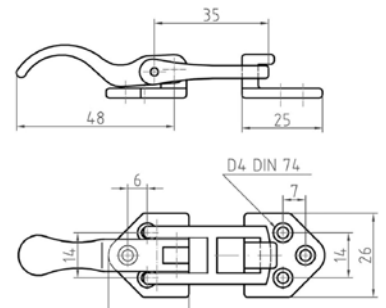
Hasp #46.570 with strike plate 45 x 150 mm

46.572 **Hasp, medium duty**  
With plate lockable by means of padlock  
40 x 90 mm  
Chrome



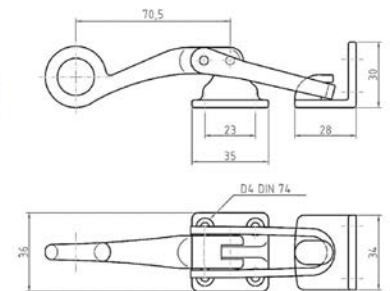
Hasp #46.572 with strike plate 40 x 90

46.576 **Hasp, Light duty**  
With hook plate  
60 x 26 mm  
Chrome



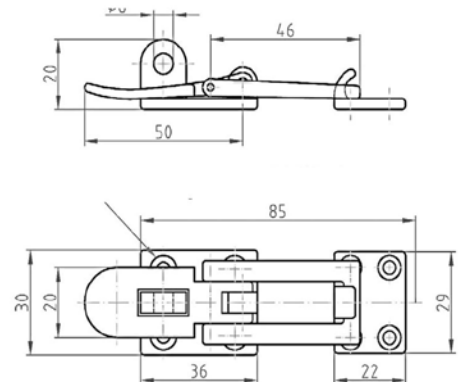
Hasp #46.576 with strike plate size 60 x 26 mm

46.574 **Hasp, Light duty**  
With hook plate  
36 x 120 mm  
Chrome



Hasp #46.574 with angle strike 36 x 120 mm

46.577 **Hasp, medium duty**  
With hook plate;  
Lockable by means of padlock  
26 x 85 mm  
Chrome

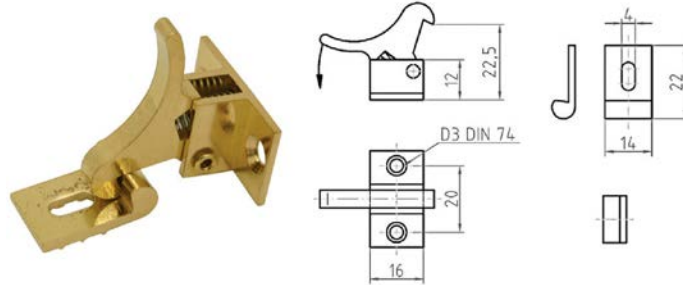


Hasp #46.577 with Flush Strike Size: 26 x 85 mm



Order numbers

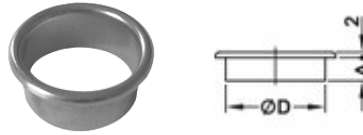
21.516 **Finger pull (5160/61)**  
elbow catch with strike, both handed.  
Cover ring in hole in door:  
drill 29 mm hole; OD: 34 mm ID: 23 mm



**Finger pull #21.516** elbow catch; latch operates by pulling lever with finger, through hole in door. strike plate included; both handed

21.2801 **Ring (631.02.801) Brass Polished**  
Diameter 35 mm; 18 mm high;

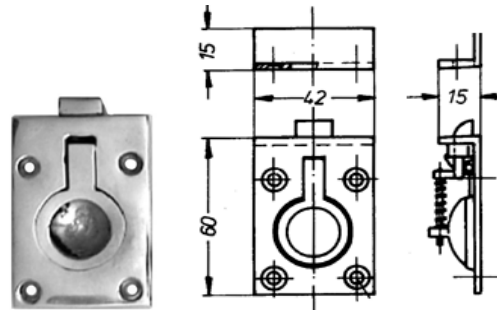
21.2701 **Ring (631.02.701) Satin Nickel**  
Diameter 35 mm; 18 mm high;



#21.2801 Brass #21.2701 nickel  
D = drill hole for OD 35 mm ring;  
A = height 19 mm  
thickness ring: 2 mm

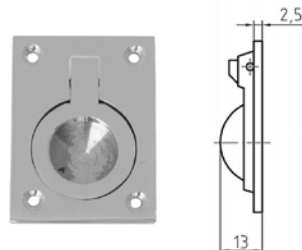
Brass Cover ring for hole in door:

46.108 **Flush Pull Lift with latch (4108)**  
Brass, polished chrome plated,  
Latch comes with strike  
Body: 60 x 40 mm - 2 3/8" x 1 9/16";  
strike 15 x 15 mm - 5/8" x 5/8"  
mortise depth: 18 mm - 11/16"



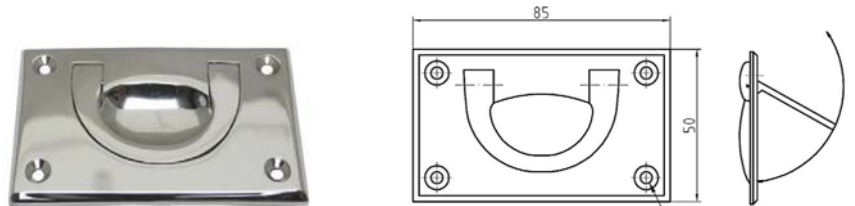
Finger pull catch #46.108 brass chrome plated

46.105 **Flush Pull**  
Brass, polished chrome plated,  
Size: 52 x 37 x 13mm  
mortise depth: 13 mm 5/8"



Flush pull #46.105 chrome plated: 52 x 37 mm

46.020 **Flush Pull**  
Brass, polished chrome plated,  
Size: 85 x 50 x 13mm  
mortise depth: 13 mm ~ 5/8"



Flush pull #46.020 chrome plated brass 85 x 50 x 13 mm; 3 3/8 x 2 x 5/8 inch

43.214 **Flush Pull Lift stainless steel**  
2 1/4" x 3" ~ 57 x 76 mm  
316 Cast Stainless steel

43.215 **Flush Hatch Lift stainless steel** 43.215  
Dimension case: 2 1/2" x 1 3/4"  
316 Cast Stainless steel

43.216 **Hatch Pull stainless steel #43.216**  
Dimension case: 1 1/2" x 1 15/16"  
316 Cast Stainless steel



#43.214 Stainless Steel  
Flush Pulls 3" x 2 1/4"

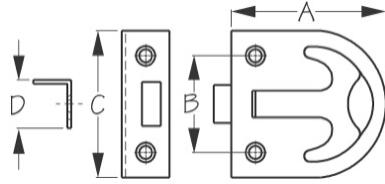
#43.215 Stainless Steel  
1 3/4" x 2 1/2"

#43.216;  
1 1/2" x 1 15/16"



Izerwaren  
Order  
numbers

#43.831S  
Old number:  
#47.1920

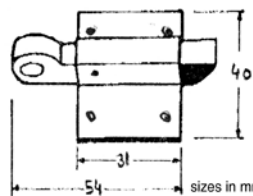


New number: #43.831S Old number: #47.1920 316 stainless steel Satin Finish  
Flush Slam latch, Pull type. Anchor style lift ring; strike plate included.  
Dimensions: 61 mm long (A) x 58 mm wide (C) x 19 mm deep (D). Door thickness: 19 mm  
Dimensions: 2 7/16" (A) x 1 1/2" (B) x 2 1/4" (C) x 3/4" (D) Door thickness: 3/4"  
**Pull Out** to open door / release.

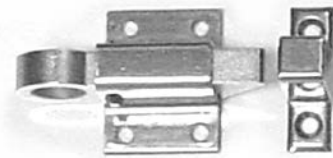
47.22SP **Spring loaded catch #43.22SP**  
40 x 31 mm; 1 1/2" x 7/8";  
Throw: 1/2" 304 stainless steel



Catch #43.22SP, Strike #43.22ST

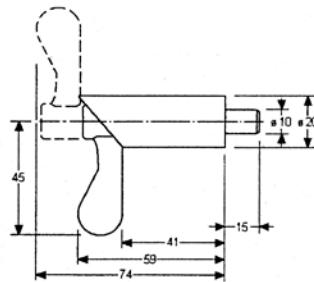


#47.22SP Spring loaded catch with eye. Plate: 40 x 31 mm; strike #47.22ST  
Dimensions: 1 1/2" x 7/8" Stainless steel



47.22ST **Strike for Spring loaded catch**  
12 x 40 mm 1/2" x 1 1/2"  
304 stainless steel

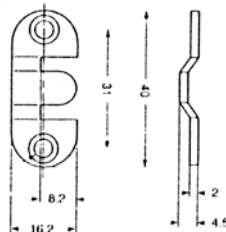
47.280 **Pin bolt ; stainless steel #47.280;**  
throw: 5/8" diameter: 3/4"  
Spring loaded; Weld on type.



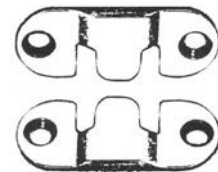
Pin bolt spring loaded #47.280; stainless steel; throw: 5/8" diameter: 3/4" length: 3"



47.212 **Flush mounting clips ; stainless steel**  
dimensions: 5/8" x 1 9/16"  
sold in pairs.  
Work well for hanging paintings and  
mirrors on walls and bulkheads.

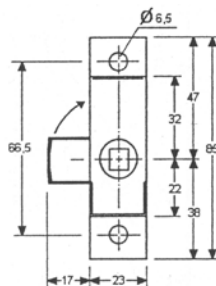
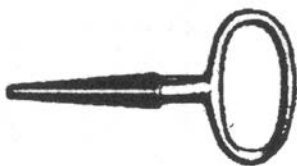


#47.212 flush mounting clips; stainless steel

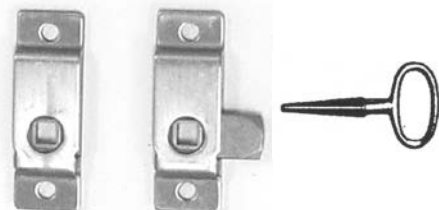


47.220 **Small cam lock with click;**  
stainless steel  
dimensions: 7/8" x 3 3/8"  
sold in pairs.

47.113 **Key; steel nickel plated #47.113**



#47.220 cam lock stainless steel for M8 key or spindle



#key 47.113